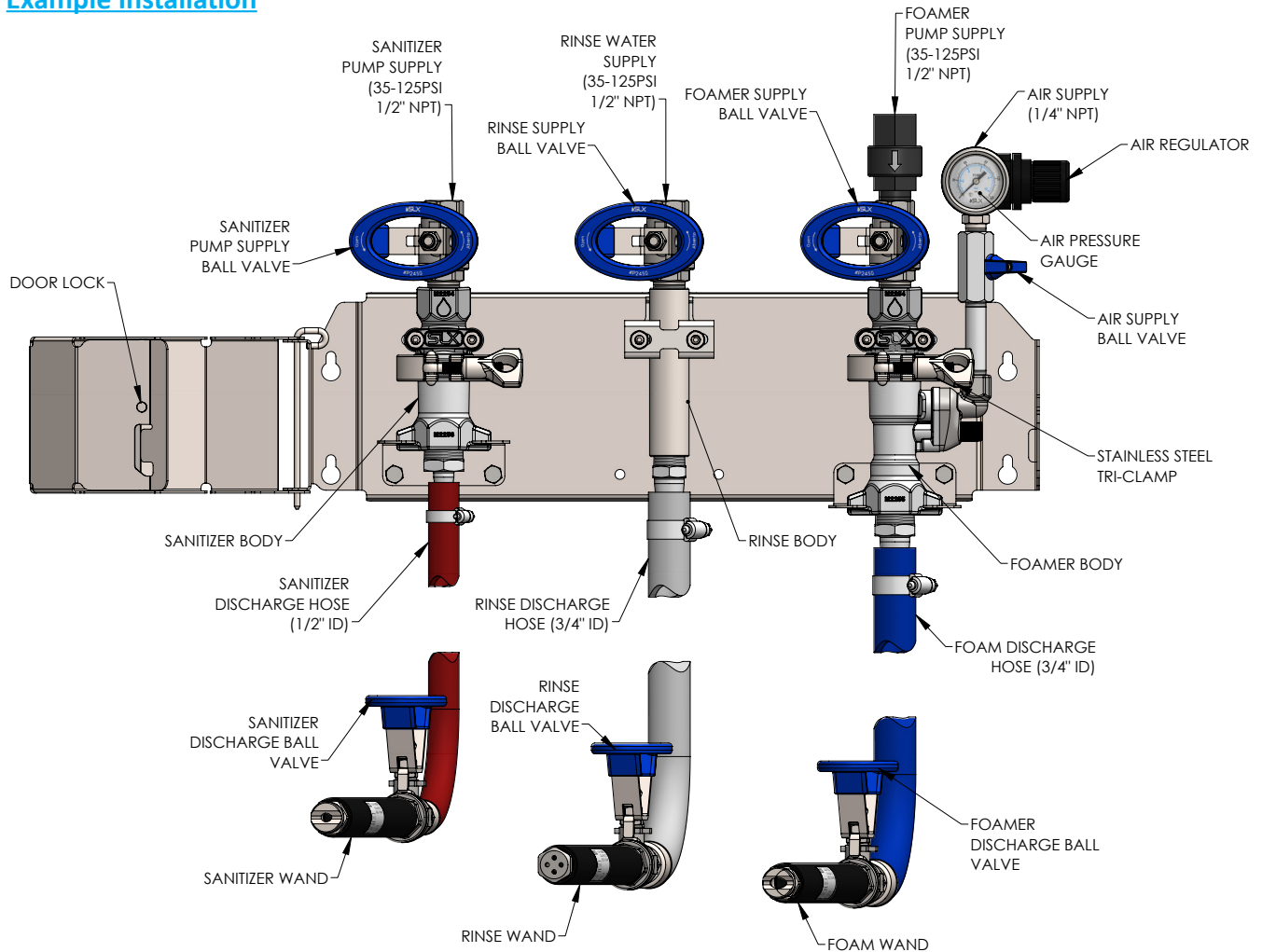




**CAUTION!** Wear appropriate PPE when working with chemicals.

## Example Installation



## 1 Install and Connect

- Mount SLX enclosure to wall
- Flush supply lines
- Connect supply lines:
  - Compressed air (1/4" NPT)
  - Pump supply 2x (1/2" NPT)
  - Water (1/2" NPT)
- Connect discharge hoses

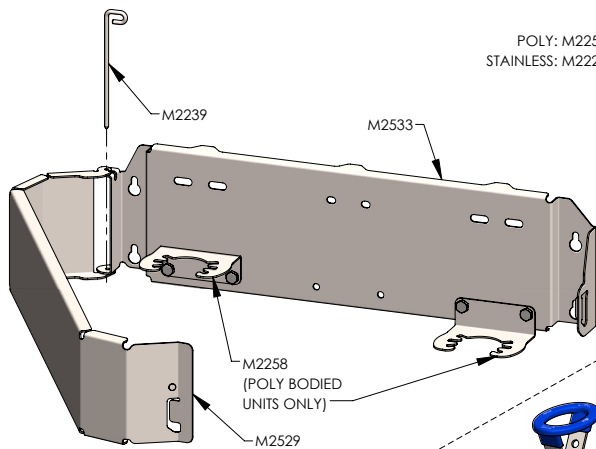
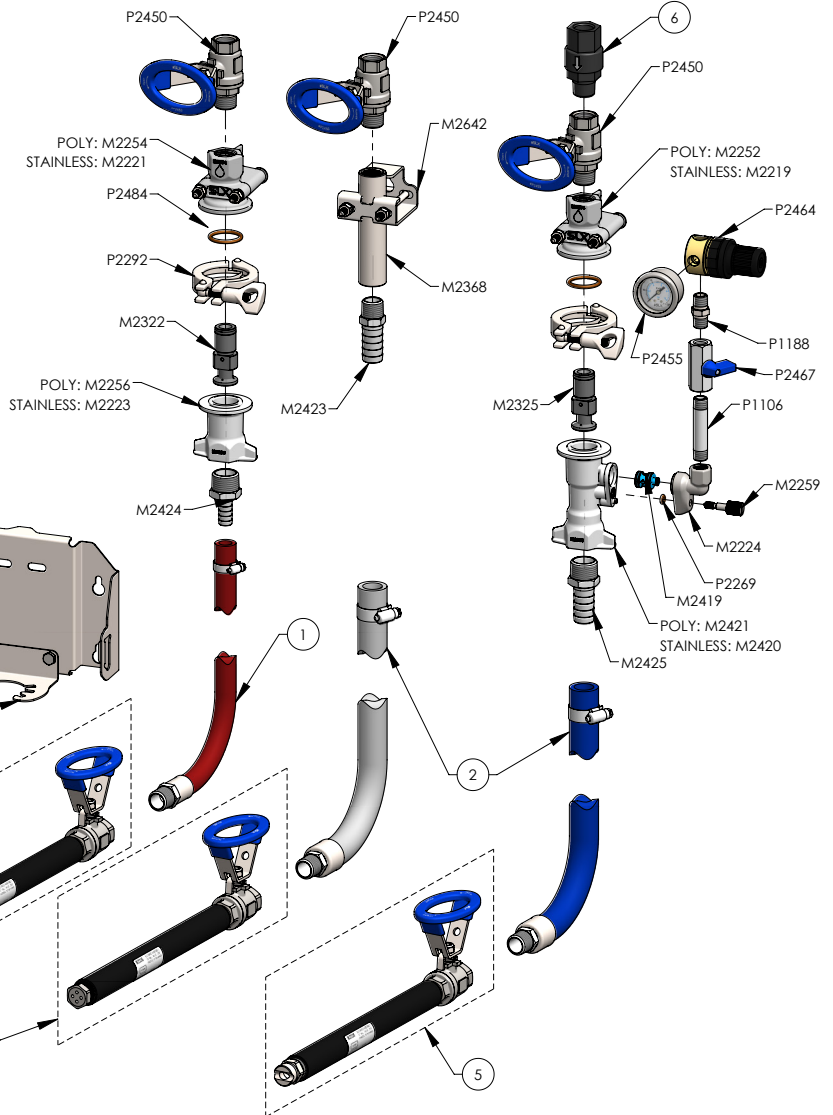
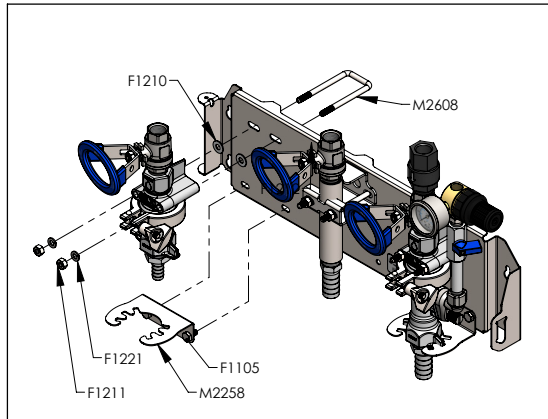
## 2 Operation

- Take hold of spray wand of any station
- Open discharge ball valve
- Open pump supply valve for the station - unit will spray
- [Foamers] Open air supply valve - unit will foam
- [Foamers] Adjust air pressure to alter foam quality
- Foam equipment, from bottom to top, and rinse before it dries
- Rinse and Sanitize equipment, from top to bottom
- When complete, turn off supply valves for all stations
- Store hoses depressurized, with discharge valves open, and coiled properly to prevent kinks

**CAUTION!** Wear appropriate PPE when working with chemicals.

Parts will vary depending on model configuration.  
Please consult User Manual or contact us for more details.

**Purchase Replacement Parts:**



Hose Color	(1) Sanitizer	(2) Rinse/Foam
Blue	M2269	M2273
Red	M2270	M2274
White	N/A	M2275
Yellow	M2271	M2276
Green	M2521	M2522

Material	(6) Check Valve
Poly	P1318
Stainless	M2569

Wand Material	(3) Sanitizer	(4) Rinse	(5) Foamer
Poly	M2336	M2393	M2340
Stainless	M2337	M2394	M2341

**View User Manual for More Details:**

