

CAN-SO-4

CAN CONNECTED SOLENOID OUTPUT (4X)

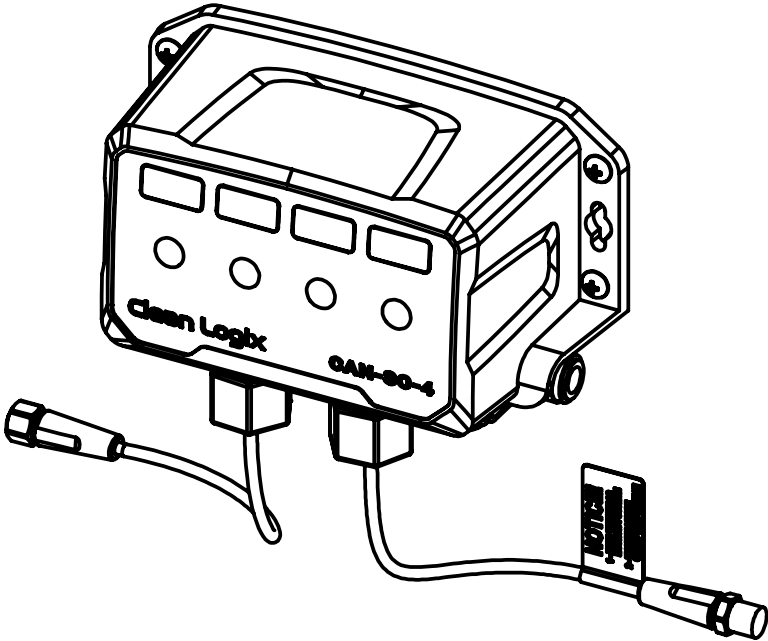


www.clean-logix.com

616.438.9200

USER MANUAL

Last Updated: June 26, 2024

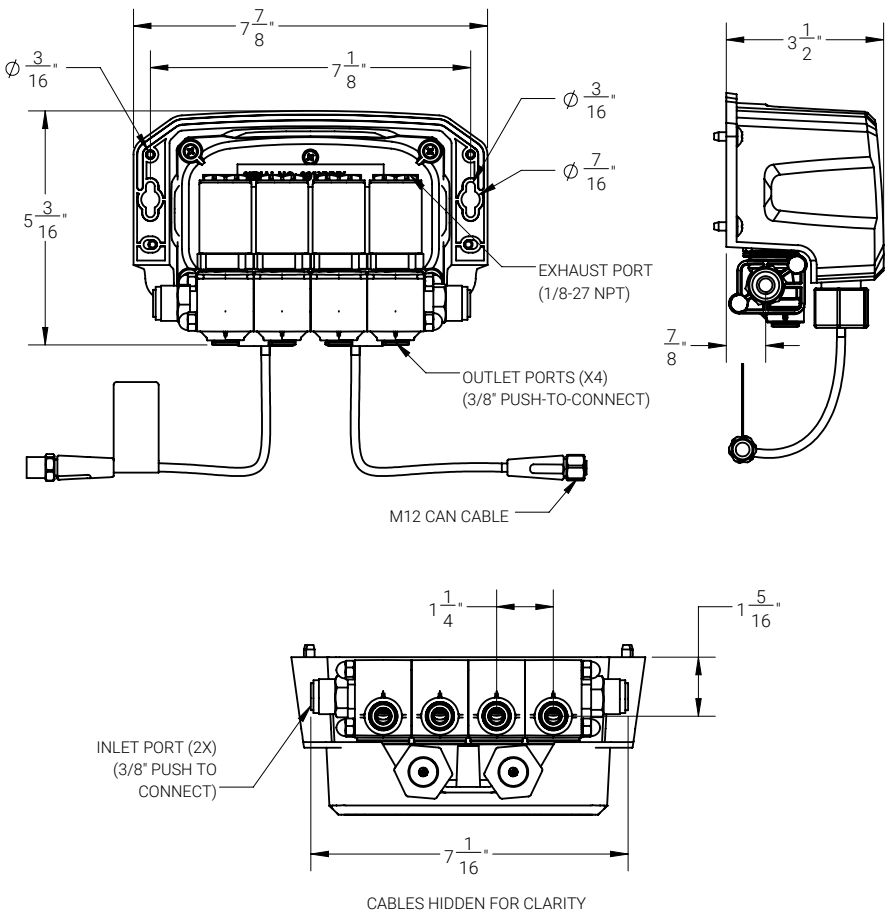


CAN-SO-4 solenoid device output module with 4 manifold based 3-way valves and M12 connections for use with ALX allocation equipment to activate air operated pumps and valves.

Max Pressure	82 PSI
Flow Factor	0.31 Cv
Materials	Body: Polypropylene Fasteners: Stainless Steel Seals: EPDM, Viton
Type	NC, normally closed

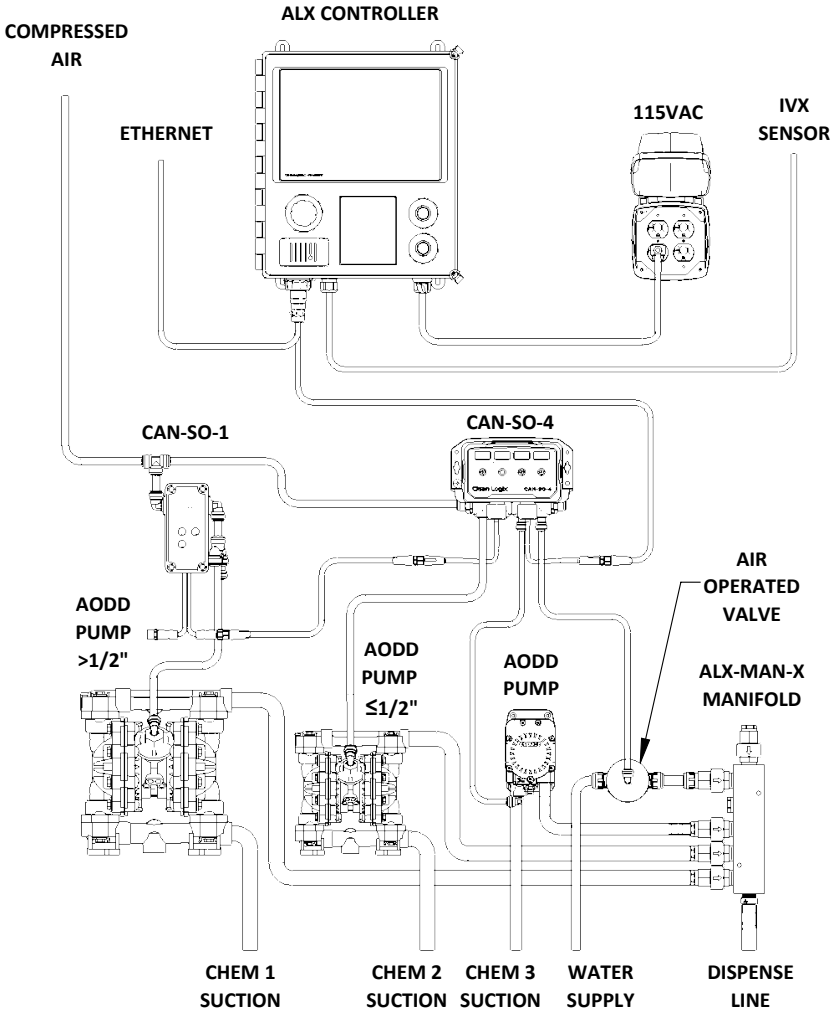
Installation

1. Mount device to wall or plate
2. Connect incoming air supply to side port inlet (3/8" quick fit) - either plug other port or use for routing airlines to other devices.
3. Connect outlet ports (4x 3/8" quick fit) to each pump
4. Connect M12 cable to ALX via CAN Device daisy-chain
 - Fill connections with dielectric grease to prevent corrosion
 - Tighten connections hand-tight, plus two additional clicks with a wrench, to ensure a good seal
 - Last device in chain: Install blank plug in the unused M12 connector to protect the contacts.
5. Review device set up for ALX controller (PRO or ELITE/LITE)



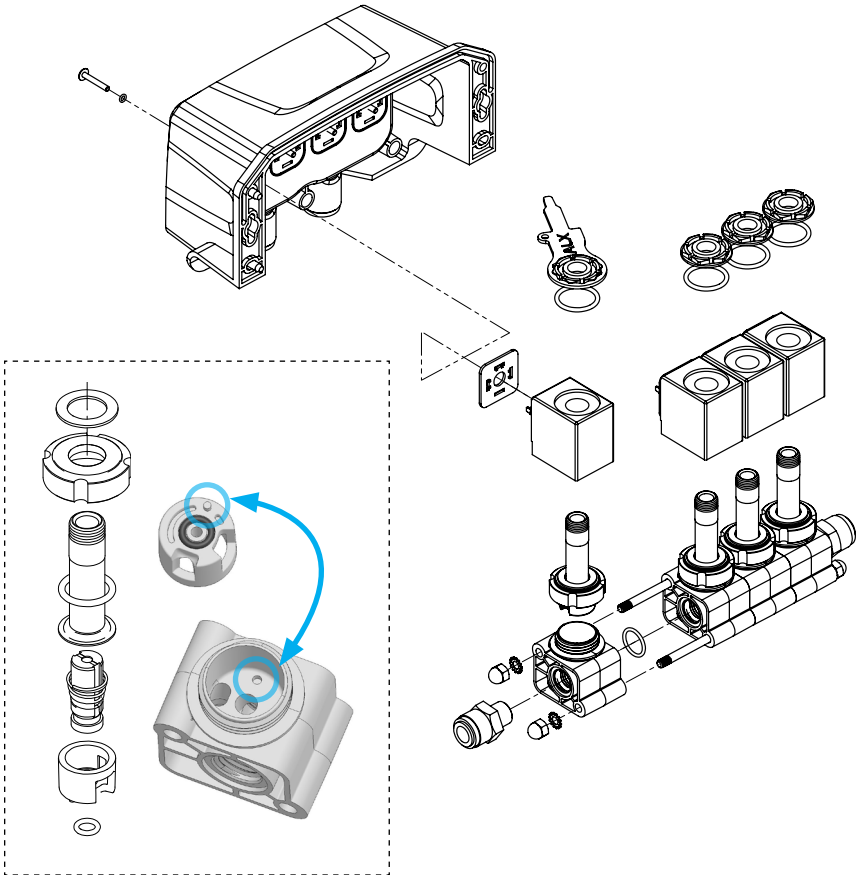
ALX CAN Architecture

Installation diagram shows ALX-PRO and is meant for reference purposes only. Review controller user manual or contact Clean Logix for additional support.



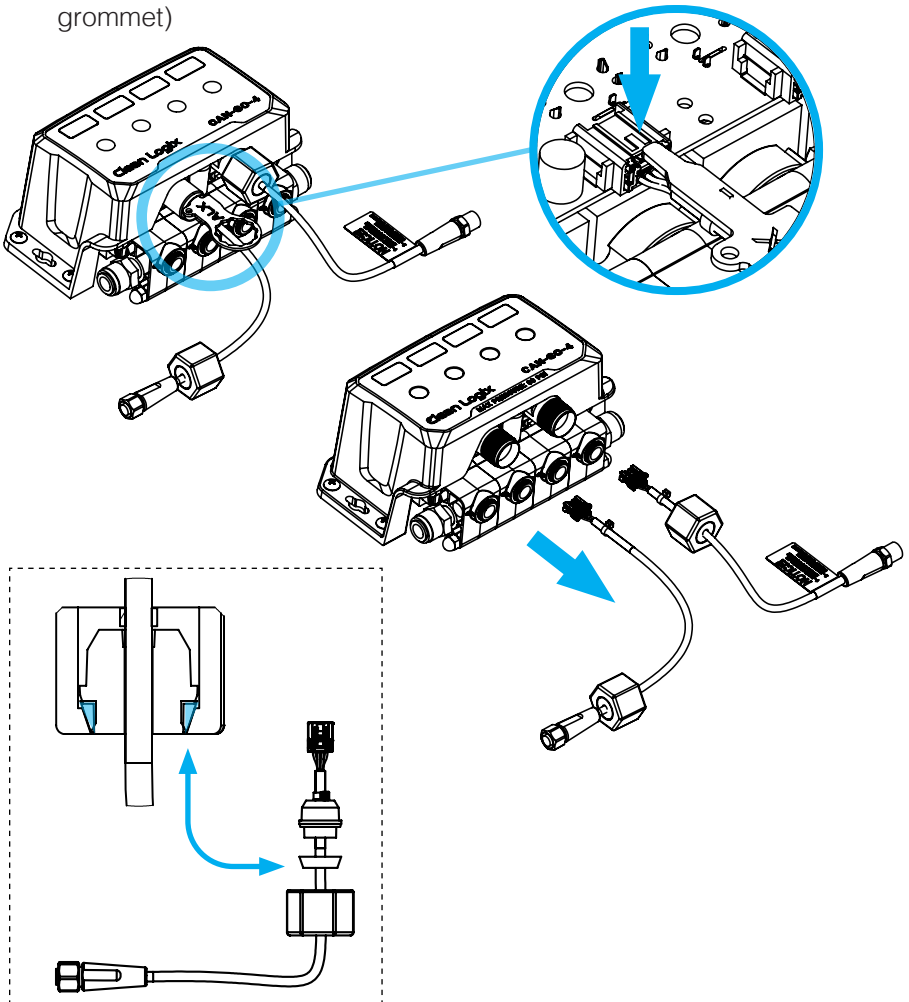
Valve Servicing and Replacement

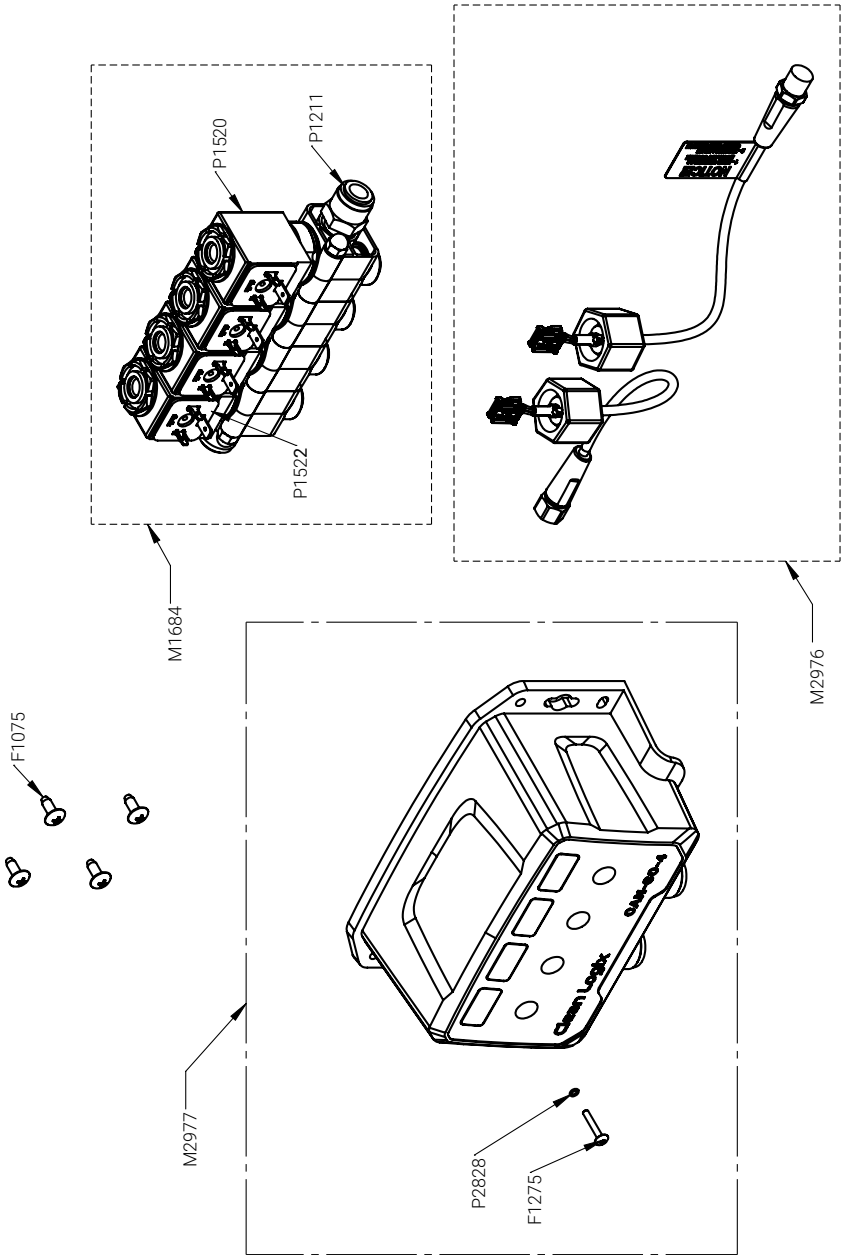
1. Disconnect CAN cable to power down the device and remove from mounting position
2. Using the included ALX multi-tool, remove the 4x green nuts from the top of each solenoid (don't lose the o-rings)
3. Pull down to remove the valve manifold stack from the solenoids
4. Using a #1 Phillips head screwdriver, remove the retaining screws and replace each solenoid as required
 - Ensure the o-ring is on the retaining screw and is not torn
 - Verify the gasket is properly installed on the solenoid terminals before plugging back in or replacing
5. Remove acorn nuts on either side of manifold stack to separate valves, for further disassembly if needed
6. Remove the black retaining nut on the top of each valve to disassemble the valve
 - Ensure nub on bottom of actuator base aligns with the holes in the bottom of the valve body for complete seal



Cable Replacement

1. Disconnect CAN cable to power down the device and remove from mounting position
2. Unscrew nut and pull down, with blue grommet, to access the cable's terminal connection
3. Using the included ALX wrench (#M2951), or a narrow flat head screwdriver, push down on the top of the terminal to release it
4. Gently pull the cable out of the port
5. To reconnect, gently slide the cable into the terminal. A small click sound can be heard when the terminal is fully connected (a slight tug on the cable will ensure this as well)
6. Push the blue grommet back into the port with the nut and tighten until secure (ensure the plastic gripper is positioned around the grommet)





Parts

Part No.	Description
F1075	SCREW, SELF TAP, 10-16 X 1/2", SS, TRUSS HD
F1275	SCREW, MACHINE, M3 X 0.50mm X 20mm, SS, PHILLIPS, EXTRA WIDE TRUSS HD
F2138	SCREW, SELF TAP, #8 X 5/8", SS, PHILLIPS, PAN HD
M2951	CAN-SO-4 GEN2 WRENCH, SS
M2976	CAN-SO-4 GEN2 REPLACEMENT WIRE HARNESS W/ NUTS AND GROMMETS
M2977	CAN-SO-4 GEN2 REPLACEMENT ENCLOSURE WITH PCB, HARDWARE, AND VALVE GASKETS
P1211	QUICK FIT, ADAPTER, 1/4" MNPT X 3/8" TUBE, PP BODY, EPDM SEAL
P1520	SOLENOID ASSEMBLY
P1522	GASKET, DIN FORM A, EPDM, 18mm WIDTH
P1524	NUT, ACORN, #10-32, SS
P1527	O-RING, ROUND, -016, .070" X 3/4", VITON, BLACK



More Information

Please contact Clean Logix at:

(616)-438-9200 or **sales@clean-logix.com**



Clean Logix

4928 W Greenbrooke Dr.
Grand Rapids, MI 49512

616.438.9200

www.clean-logix.com

sales@clean-logix.com