
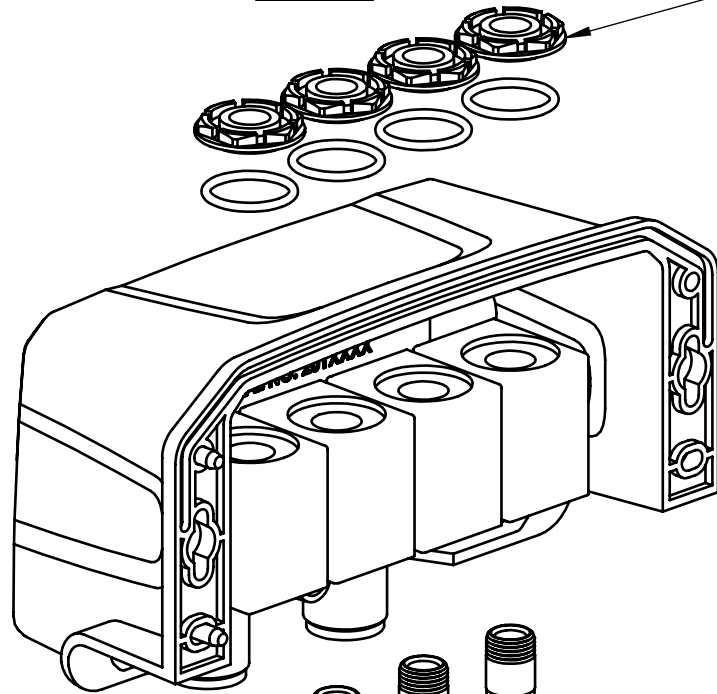


MAX PRESSURE	82 PSI
FLOW FACTOR	0.31 CV
TYPE	NC, NORMALLY CLOSED
MATERIALS	PP, SS, EPDM, VITON

UNLESS OTHERWISE SPECIFIED: DIMENSIONS ARE IN INCHES TOLERANCES: FRACTIONAL $\pm 1/16$ " ANGULAR: MACH $\pm .5^\circ$ BEND $\pm 2^\circ$ TWO PLACE DECIMAL $\pm .015$ " THREE PLACE DECIMAL $\pm .005$ "	PROPRIETARY AND CONFIDENTIAL! THE INFORMATION CONTAINED IN THIS DRAWING IS THE SOLE PROPERTY OF CLEAN-LOGIX. ANY REPRODUCTION IN PART OR AS A WHOLE WITHOUT THE WRITTEN PERMISSION OF CLEAN-LOGIX IS PROHIBITED.		
MATERIAL: SEE COMPONENTS	DRAWN BY: A. RUSCH	PART NUMBER: CAN-SO-4 GEN2	REV: A
FINISH: SEE COMPONENTS	DATE CREATED: 9/21/2023	CAN-SO-4 GEN2 2ND GENERATION CAN CONNECTED SOLENOID OUTPUT MODULE W/ FOUR MANIFOLDED 3-WAY VALVES	
WEIGHT: 1.566 (LB.)	LAST SAVED: 5/8/2024	SCALE: 1:2	SHEET 1 OF 8
NOTE: DEBURR AND BREAK ALL SHARP EDGES!			

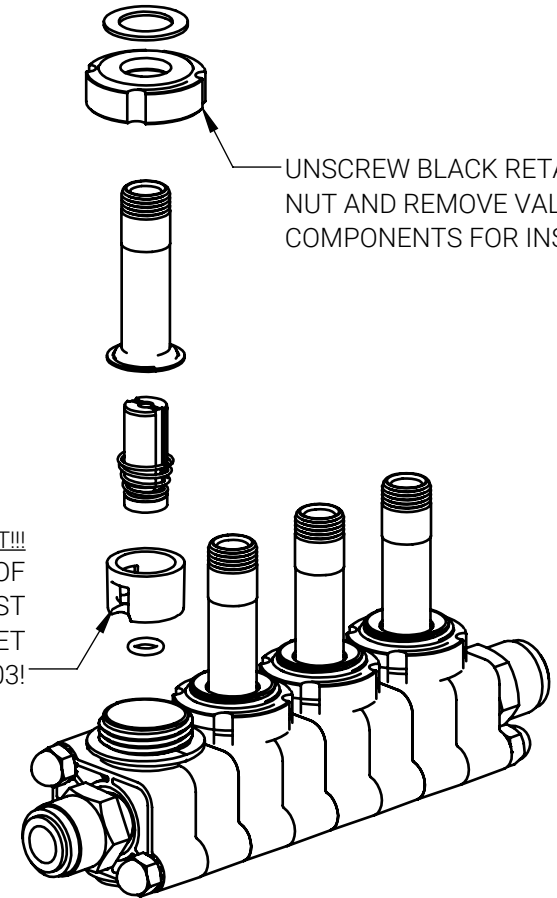
FIELD INSPECTION AND SERVICE INSTRUCTIONS

STEP 1



USE WRENCH (INCLUDED, M2951) TO REMOVE TOP NUT (GREEN MOLDED OR METAL)

STEP 2




UNSCREW BLACK RETAINING NUT AND REMOVE VALVE COMPONENTS FOR INSPECTION

IMPORTANT!!!
NUB ON BOTTOM OF ORIFICE BASKET MUST ALIGN WITH POCKET IN VALVE BODY M1603!

CAUTION!
DO NOT LOSE WASHERS

SLIDE OUT MANIFOLD VALVE ASSEMBLY

UNLESS OTHERWISE SPECIFIED:		<p>PROPRIETARY AND CONFIDENTIAL!</p> <p>THE INFORMATION CONTAINED IN THIS DRAWING IS THE SOLE PROPERTY OF CLEAN-LOGIX. ANY REPRODUCTION IN PART OR AS A WHOLE WITHOUT THE WRITTEN PERMISSION OF CLEAN-LOGIX IS PROHIBITED.</p>					
DIMENSIONS ARE IN INCHES TOLERANCES: FRACTIONAL $\pm 1/16"$ ANGULAR: MACH $\pm .5^\circ$ BEND $\pm 2^\circ$ TWO PLACE DECIMAL $\pm .015"$ THREE PLACE DECIMAL $\pm .005"$		MATERIAL: SEE COMPONENTS				DRAWN BY: A. RUSCH DATE CREATED: 9/21/2023	PART NUMBER: CAN-SO-4 GEN2 CAN-SO-4 GEN2 2ND GENERATION CAN CONNECTED SOLENOID OUTPUT MODULE W/ FOUR MANIFOLDED 3-WAY VALVES
FINISH: SEE COMPONENTS		WEIGHT: 1.566 (LB.)		LAST SAVED: 5/8/2024 NOTE: DEBURR AND BREAK ALL SHARP EDGES!		SCALE: 1:2	SHEET 8 OF 8