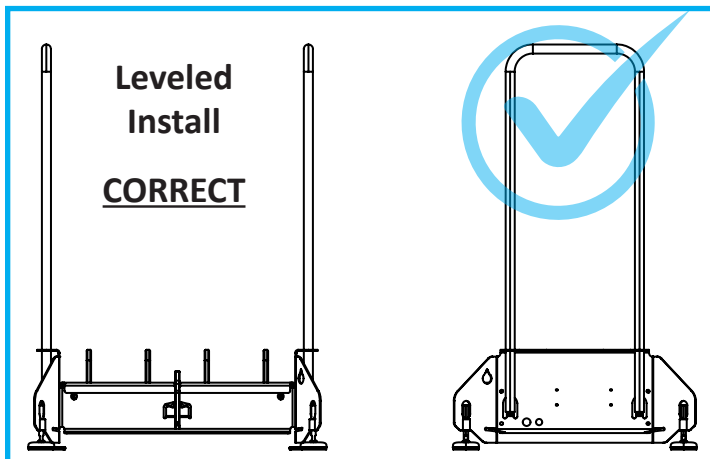
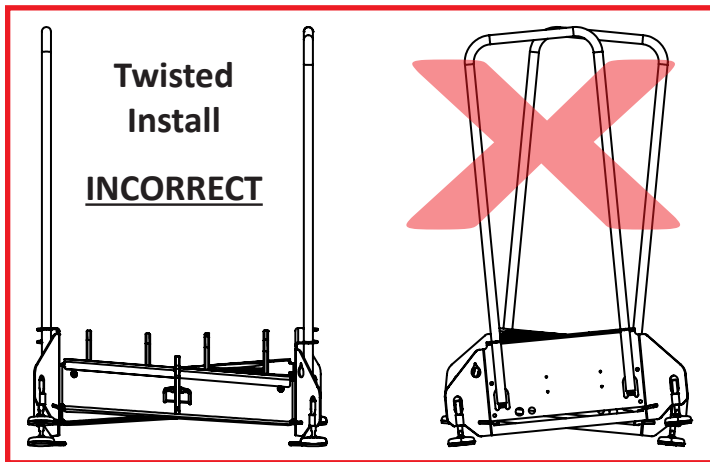


**CAUTION!** Always use care and wear appropriate PPE when working with chemicals!

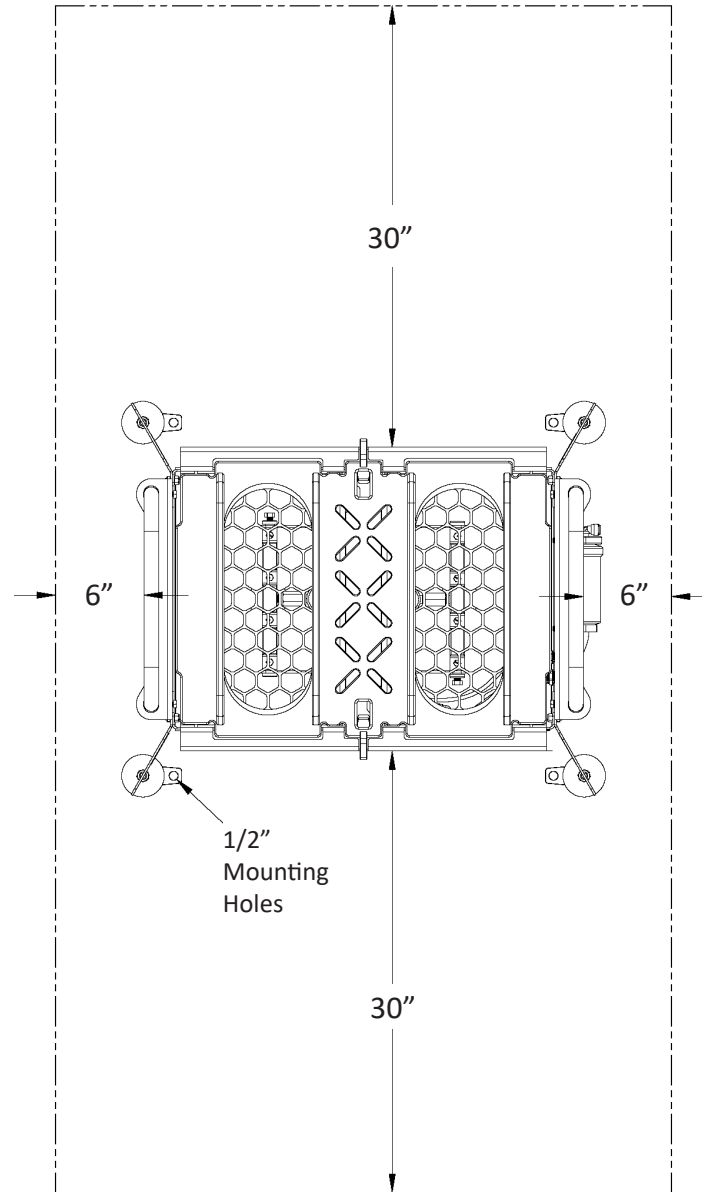
## 1 Install and Connect

- A. Connect handrails to frame.
- B. Place unit in desired location.
- C. Using a level and 3/4" wrench, stabilize the unit and level in all directions. Handle bars should be parallel to one another.
  - **WARNING:** Twisting of the frame may impact performance. Ensure unit is level in all directions to ensure optimal functionality.



- D. Fasten unit to floor using mounting feet to anchor (optional)

### Example Installation



### More Information

Please contact Clean Logix at:  
**(616)-438-9200** or [sales@clean-logix.com](mailto:sales@clean-logix.com)

## 2 Connect

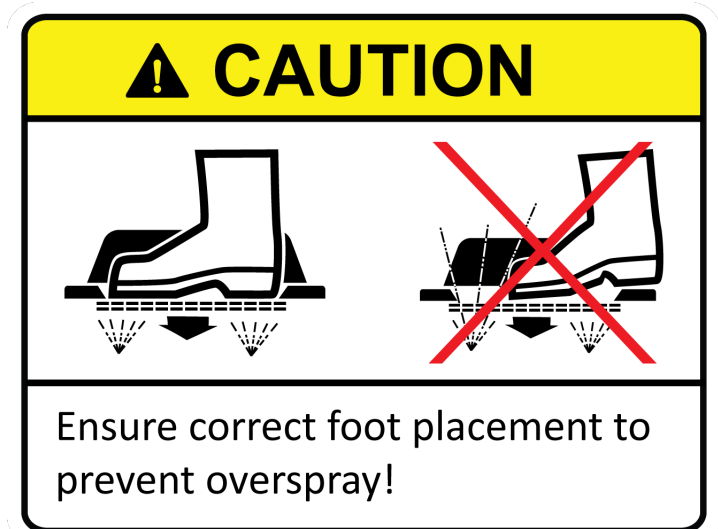
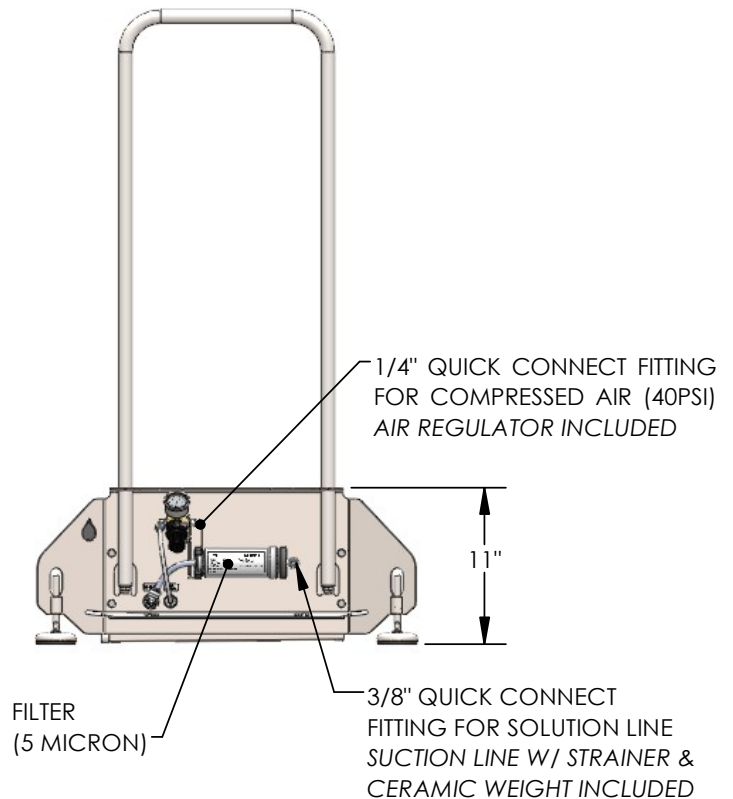
- Connect air supply to air regulator (1/4" quick connect).
- Connect chemical line to filter (3/8" quick connect).
- Place chemical line, with strainer and weight, into chemical container.

## 3 Prime

- While holding the hand rails, step onto the unit with both feet to activate the unit .
- Repeatedly step onto grate plates to activate the spray system to prime the solution filter (several activation may need to occur before the unit will begin to spray out the nozzles).
- Once the nozzles begin to spray the unit is primed and ready for normal use.
- Adjust air pressure as necessary to alter spray output (**40 - 50 PSI** recommended).

## 4 Operation

- While holding the hand rails, step onto the unit with both feet, positioning 1 foot per foot plate - both feet must be in position to activate.
- Nozzle will spray solution onto the bottom of each foot.
- Carefully step off the unit.
- The system is now ready for the next user.



View User Manual for  
More Details:



## More Information

Please contact Clean Logix at:  
**(616)-438-9200** or [sales@clean-logix.com](mailto:sales@clean-logix.com)