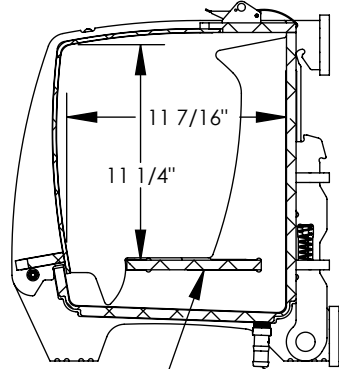
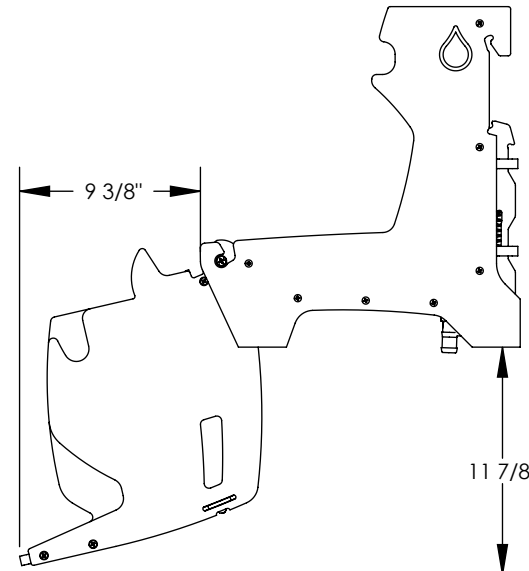
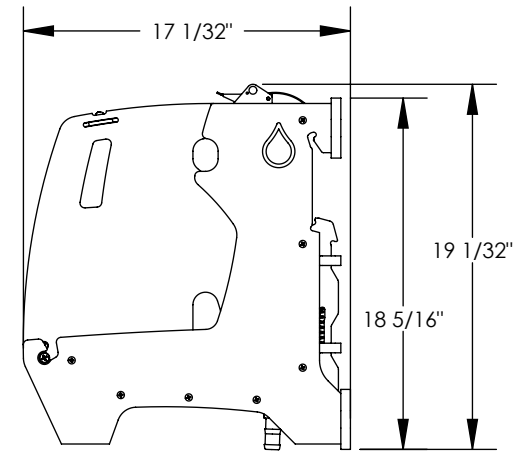
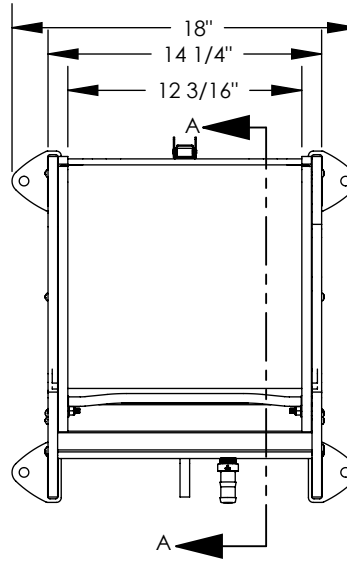


NOTE: WALL MOUNT CONFIGURATION SHOWN

SECTION A-A  
INSIDE DIMENSIONS

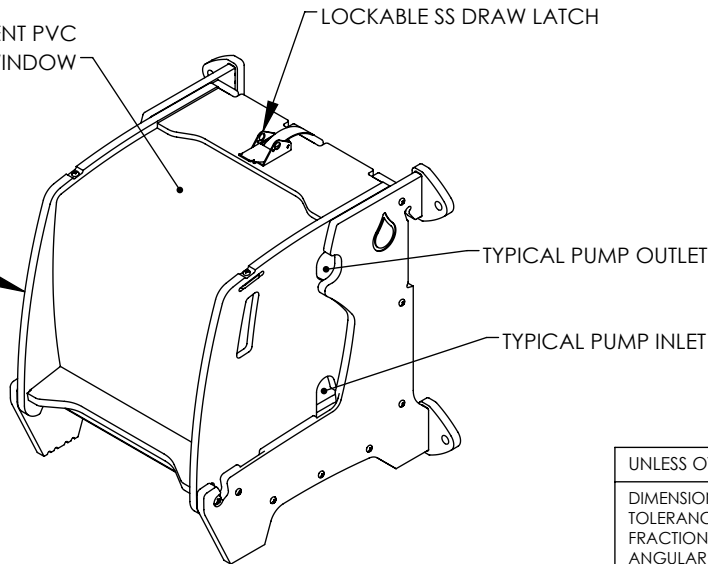


PUMP MOUNTING PLATE  
DRAIN  
(1/2" NPT X 3/4" BARB - STRAIGHT AND 90 INCLUDED)



TRANSPARENT PVC VIEWING WINDOW  
LOCKABLE SS DRAW LATCH

DOOR CAN BE REMOVED WITH NO TOOLS



DESIGNED TO FIT THE FOLLOWING PUMPS:

- GRACO HUSKY 515
- GRACO CHEMDAFE 515
- YAMADA NDP-15
- WILDEN P-100 ADVANCED

UNLESS OTHERWISE SPECIFIED:

DIMENSIONS ARE IN INCHES  
TOLERANCES:  
FRACTIONAL  $\pm 1/16"$   
ANGULAR: MACH  $\pm .5^\circ$  BEND  $\pm 2^\circ$   
TWO PLACE DECIMAL  $\pm .015"$   
THREE PLACE DECIMAL  $\pm .005"$

MATERIAL  
Material <not specified>

FINISH

WEIGHT (LB.)  
8.29

**PROPRIETARY AND CONFIDENTIAL!**

THE INFORMATION CONTAINED IN THIS DRAWING IS THE SOLE PROPERTY OF CLEAN-LOGIX. ANY REPRODUCTION IN PART OR AS A WHOLE WITHOUT THE WRITTEN PERMISSION OF CLEAN-LOGIX IS PROHIBITED.

DRAWN BY: A. ZIEGER

DATE CREATED: 5/8/2017

LAST SAVED: 7/13/2018

NOTE: DEBURR AND BREAK ALL SHARP EDGES!



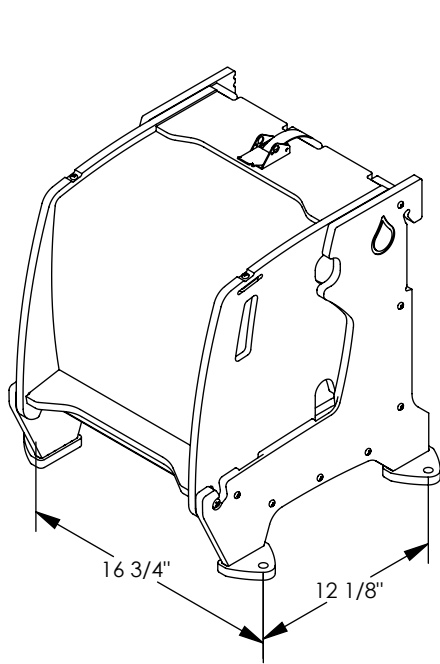
TITLE: PBX-50 ASSEMBLY REV102

ITEM NUMBER: PBX-50

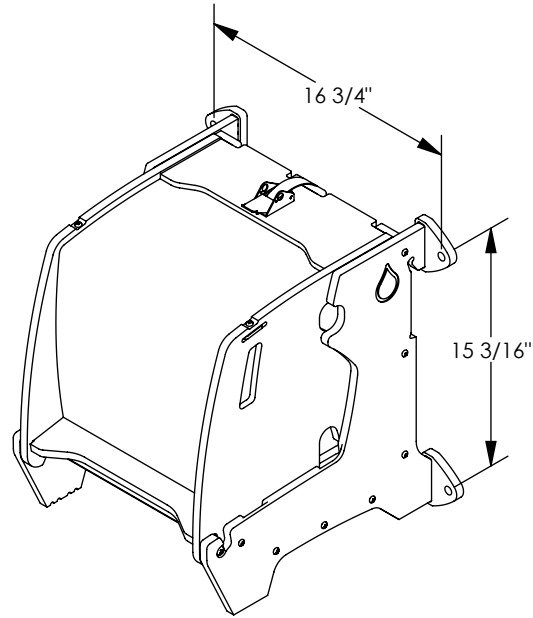
SCALE: 1:10

SHEET 6 OF 10

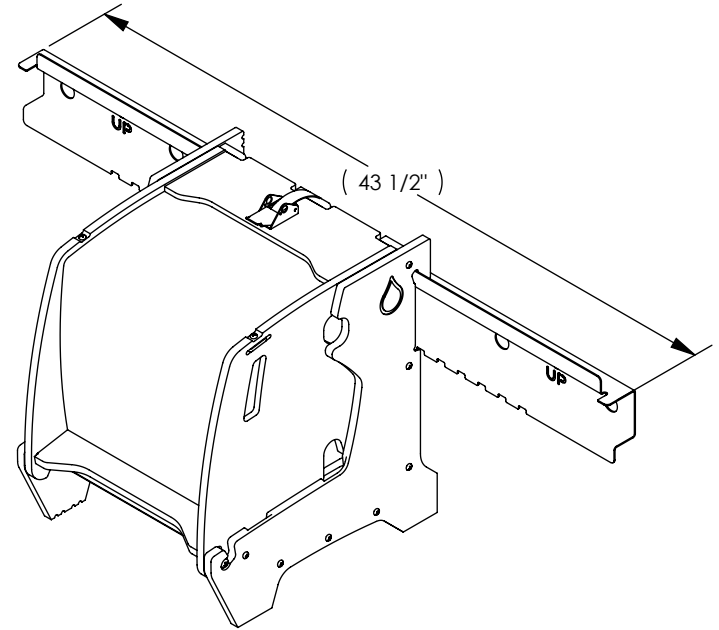
# MOUNTING OPTIONS




FEET INSTALLED IN  
SHELF-MOUNT  
POSITION



FEET INSTALLED IN  
WALL-MOUNT  
POSITION

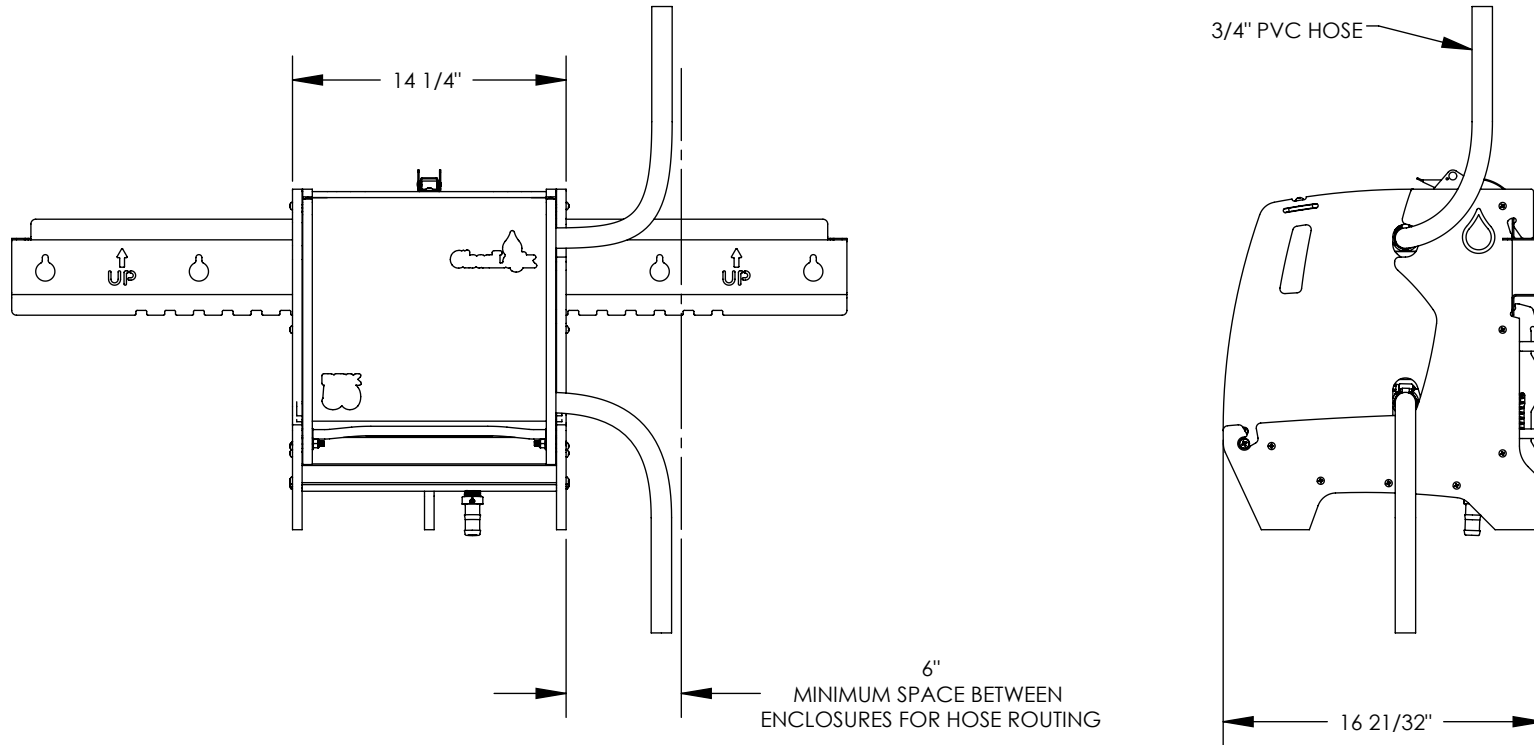



316SS MOUNTING RAIL  
(RAIL SOLD SEPARATELY)

UNLESS OTHERWISE SPECIFIED:		<b>PROPRIETARY AND CONFIDENTIAL!</b>	
DIMENSIONS ARE IN INCHES TOLERANCES: FRACTIONAL $\pm 1/16"$ ANGULAR: MACH $\pm .5^\circ$ BEND $\pm 2^\circ$ TWO PLACE DECIMAL $\pm .015"$ THREE PLACE DECIMAL $\pm .005"$		THE INFORMATION CONTAINED IN THIS DRAWING IS THE SOLE PROPERTY OF CLEAN-LOGIX. ANY REPRODUCTION IN PART OR AS A WHOLE WITHOUT THE WRITTEN PERMISSION OF CLEAN-LOGIX IS PROHIBITED.	
MATERIAL	Material <not specified>	DRAWN BY: A. ZIEGER	
FINISH		DATE CREATED: 5/8/2017	
WEIGHT (LB.)	8.29	LAST SAVED: 7/13/2018	TITLE: PBX-50 ASSEMBLY REV102
		NOTE: DEBURR AND BREAK ALL SHARP EDGES!	ITEM NUMBER: PBX-50
			SCALE: 1:10
			SHEET 7 OF 10

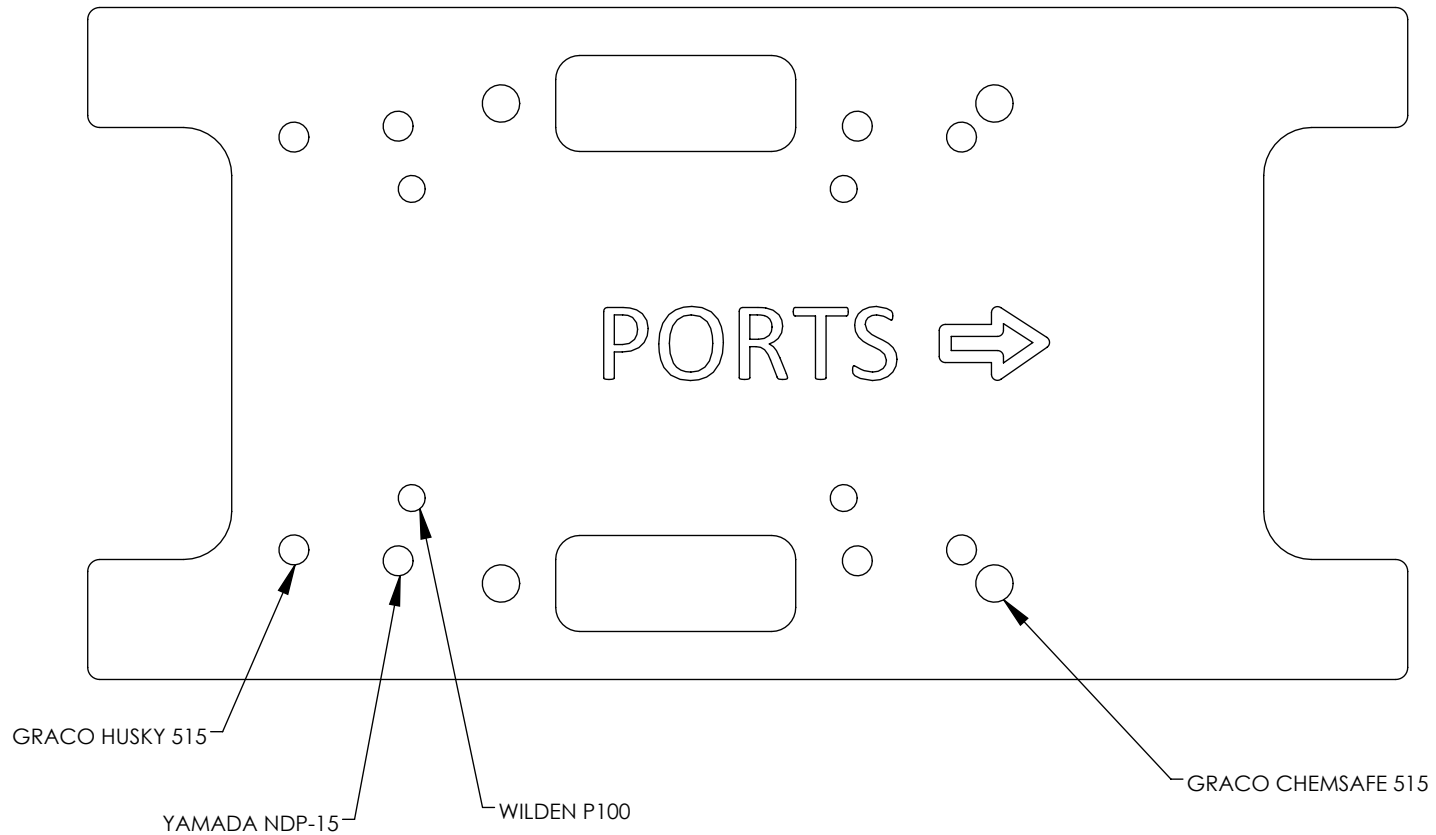
# INSTALLATION EXAMPLE


SHOWN ON MOUNTING RAIL WITH GRACO HUSKY 515 PUMP



UNLESS OTHERWISE SPECIFIED:		<b>PROPRIETARY AND CONFIDENTIAL!</b>	
DIMENSIONS ARE IN INCHES TOLERANCES: FRACTIONAL $\pm 1/16"$ ANGULAR: MACH $\pm .5^\circ$ BEND $\pm 2^\circ$ TWO PLACE DECIMAL $\pm .015"$ THREE PLACE DECIMAL $\pm .005"$		THE INFORMATION CONTAINED IN THIS DRAWING IS THE SOLE PROPERTY OF CLEAN-LOGIX. ANY REPRODUCTION IN PART OR AS A WHOLE WITHOUT THE WRITTEN PERMISSION OF CLEAN-LOGIX IS PROHIBITED.	
MATERIAL	Material <not specified>	DRAWN BY: A. ZIEGER	
FINISH		DATE CREATED: 5/8/2017	
WEIGHT (LB.)	8.29	LAST SAVED: 7/13/2018	TITLE: PBX-50 ASSEMBLY REV102
		NOTE: DEBURR AND BREAK ALL SHARP EDGES!	ITEM NUMBER: PBX-50
			SCALE: 1:10
			SHEET 8 OF 10

# PUMP MOUNTING PLATE - BOTTOM VIEW



UNLESS OTHERWISE SPECIFIED:		<b>PROPRIETARY AND CONFIDENTIAL!</b>	
DIMENSIONS ARE IN INCHES TOLERANCES: FRACTIONAL $\pm 1/16"$ ANGULAR: MACH $\pm .5^\circ$ BEND $\pm 2^\circ$ TWO PLACE DECIMAL $\pm .015"$ THREE PLACE DECIMAL $\pm .005"$		THE INFORMATION CONTAINED IN THIS DRAWING IS THE SOLE PROPERTY OF CLEAN-LOGIX. ANY REPRODUCTION IN PART OR AS A WHOLE WITHOUT THE WRITTEN PERMISSION OF CLEAN-LOGIX IS PROHIBITED.	
MATERIAL Material <not specified>		DRAWN BY: A. ZIEGER	
FINISH		DATE CREATED: 5/8/2017	
WEIGHT (LB.) 8.29		LAST SAVED: 7/13/2018	
		NOTE: DEBURR AND BREAK ALL SHARP EDGES!	
			
		TITLE: PBX-50 ASSEMBLY REV102	
		ITEM NUMBER: PBX-50 (PUMP PLATE)	
		SCALE: 1:2	SHEET 9 OF 10

5



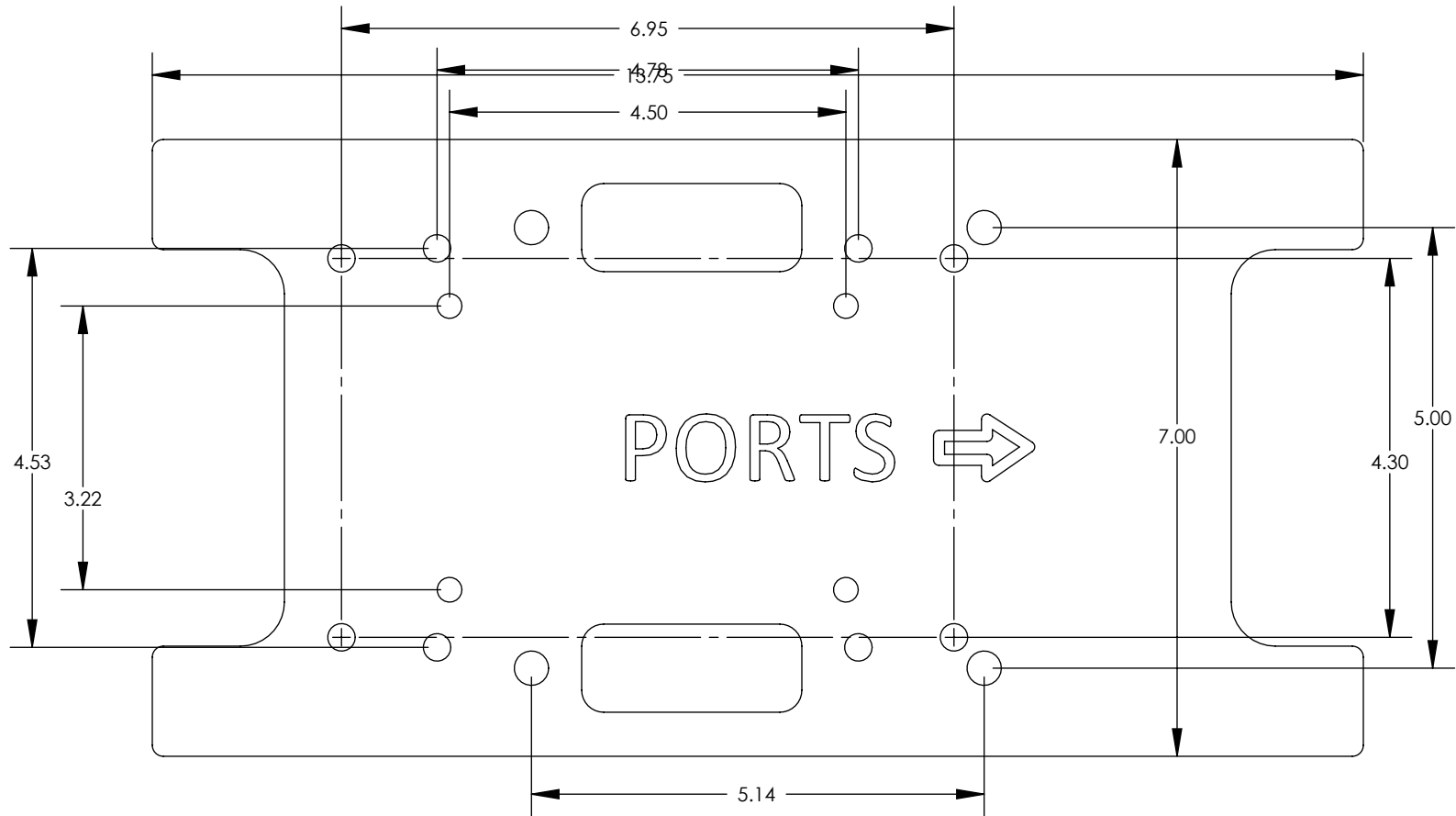
4


3

2

1

# PUMP MOUNTING PLATE - BOTTOM VIEW



UNLESS OTHERWISE SPECIFIED:		<b>PROPRIETARY AND CONFIDENTIAL!</b>	
DIMENSIONS ARE IN INCHES TOLERANCES: FRACTIONAL $\pm 1/16"$ ANGULAR: MACH $\pm .5^\circ$ BEND $\pm 2^\circ$ TWO PLACE DECIMAL $\pm .015"$ THREE PLACE DECIMAL $\pm .005"$		THE INFORMATION CONTAINED IN THIS DRAWING IS THE SOLE PROPERTY OF CLEAN-LOGIX. ANY REPRODUCTION IN PART OR AS A WHOLE WITHOUT THE WRITTEN PERMISSION OF CLEAN-LOGIX IS PROHIBITED.	
MATERIAL Material <not specified>		DRAWN BY: A. ZIEGER	
FINISH		DATE CREATED: 5/8/2017	
WEIGHT (LB.) 8.29		LAST SAVED: 7/13/2018	
		NOTE: DEBURR AND BREAK ALL SHARP EDGES!	
			
		TITLE: PBX-50 ASSEMBLY REV102	
		ITEM NUMBER: PBX-50 (PUMP PLATE)	
		SCALE: 1:2	SHEET 10 OF 10