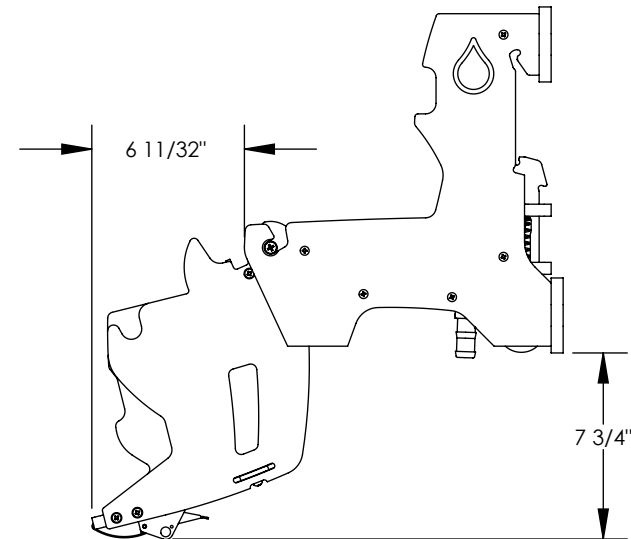
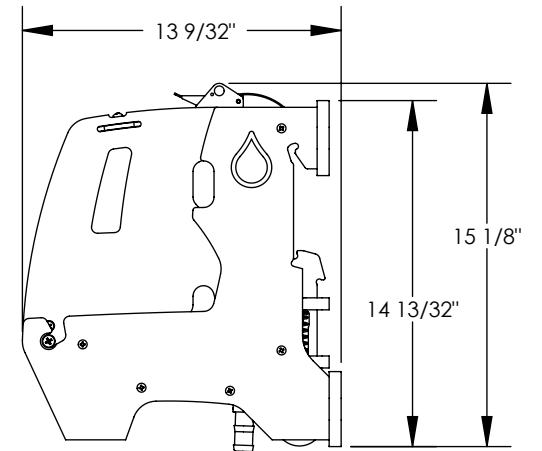
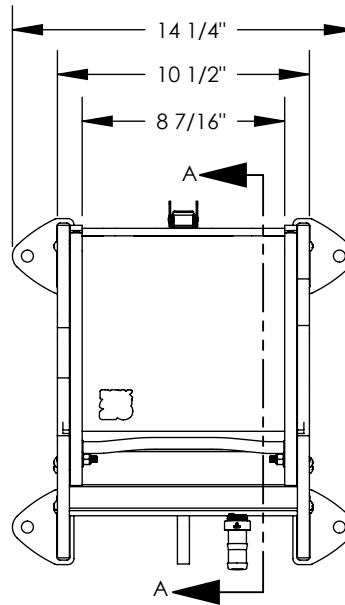
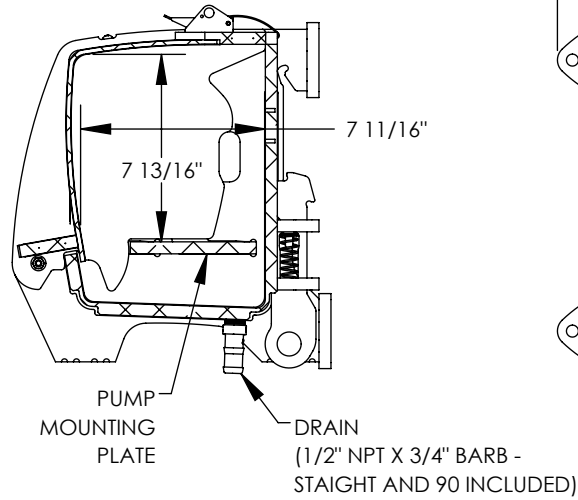


NOTE: WALL MOUNT CONFIGURATION SHOWN

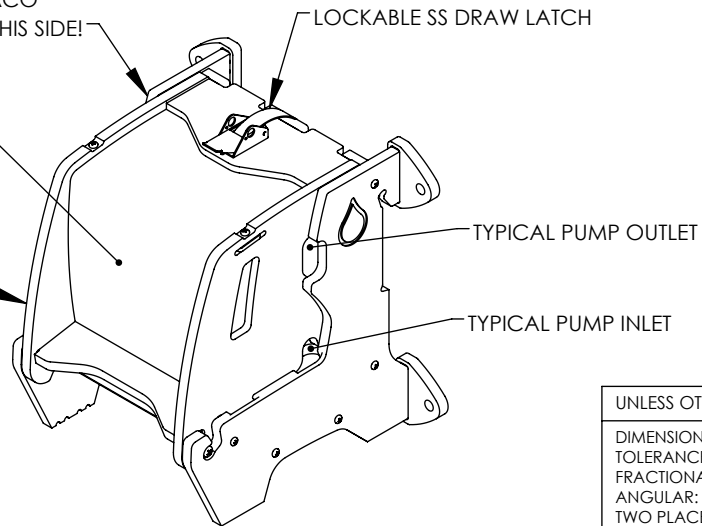
SECTION A-A
INSIDE DIMENSIONS



NOTE: HOSES FOR GRACO HUSKY 205 PUMP EXIT THIS SIDE!

TRANSPARENT PVC VIEWING WINDOW

DOOR CAN BE REMOVED WITH NO TOOLS



DESIGNED TO FIT THE FOLLOWING PUMPS:

- GRACO HUSKY 205
- GRACO CHEMDAFE 205
- YAMADA NDP-5
- WILDEN P-25 ADVANCED

UNLESS OTHERWISE SPECIFIED:

DIMENSIONS ARE IN INCHES
TOLERANCES:
FRACTIONAL $\pm 1/16"$
ANGULAR: MACH $\pm .5^\circ$ BEND $\pm 2^\circ$
TWO PLACE DECIMAL $\pm .015"$
THREE PLACE DECIMAL $\pm .005"$

MATERIAL
Material <not specified>

FINISH

WEIGHT (LB.)
4.54

PROPRIETARY AND CONFIDENTIAL!

THE INFORMATION CONTAINED IN THIS DRAWING IS THE SOLE PROPERTY OF CLEAN-LOGIX. ANY REPRODUCTION IN PART OR AS A WHOLE WITHOUT THE WRITTEN PERMISSION OF CLEAN-LOGIX IS PROHIBITED.

DRAWN BY: A. ZIEGER

DATE CREATED: 5/8/2017

LAST SAVED: 6/28/2018

NOTE: DEBURR AND BREAK ALL SHARP EDGES!



TITLE: PBX-25 ASSEMBLY REV101

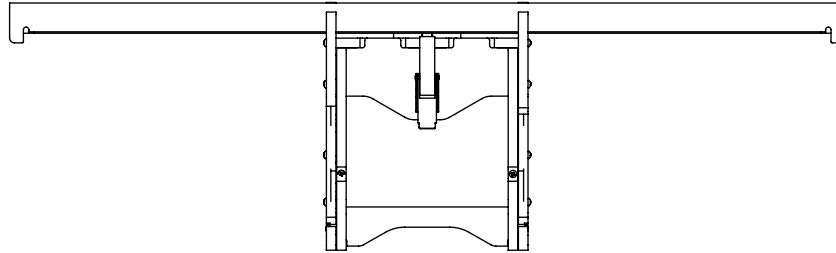
ITEM NUMBER: PBX-25

SCALE: 1:8

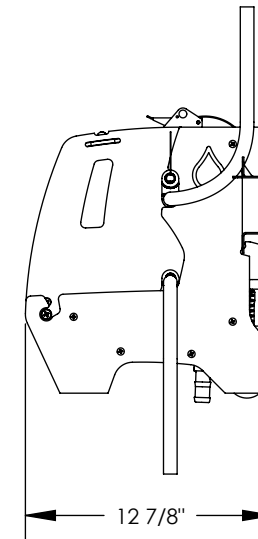
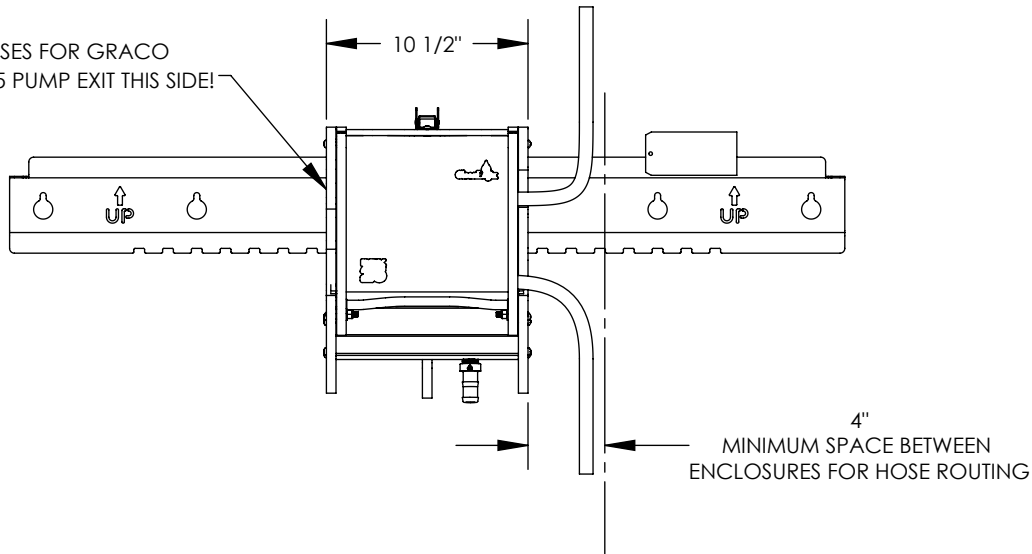
SHEET 6 OF 9


INSTALLATION EXAMPLE

SHOWN ON MOUNTING RAIL



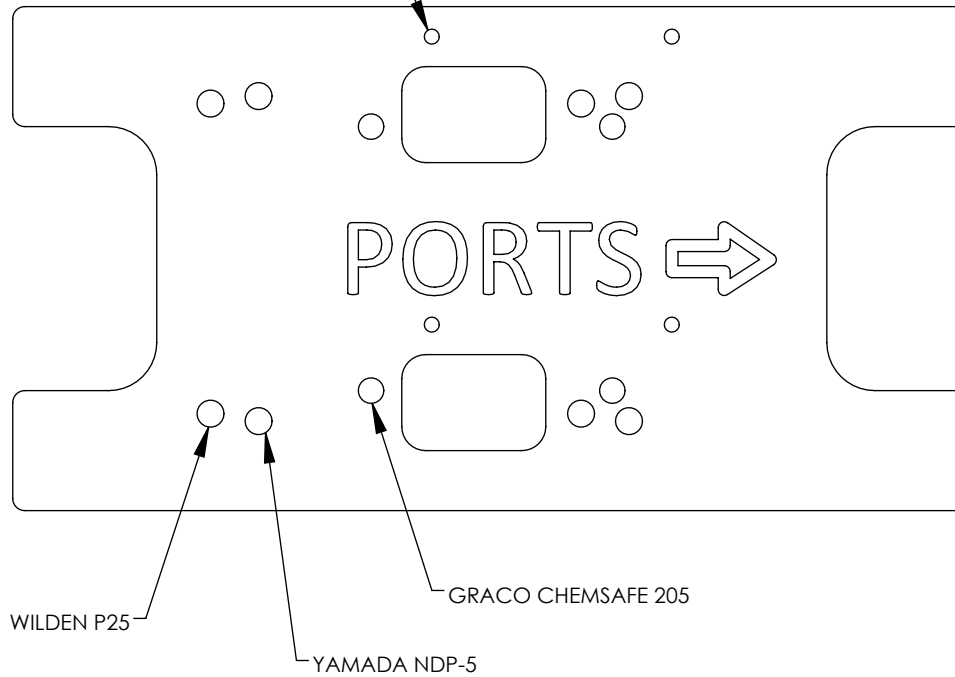
NOTE: HOSES FOR GRACO HUSKY 205 PUMP EXIT THIS SIDE!



UNLESS OTHERWISE SPECIFIED:		PROPRIETARY AND CONFIDENTIAL!	
DIMENSIONS ARE IN INCHES TOLERANCES: FRACTIONAL $\pm 1/16"$ ANGULAR: MACH $\pm .5^\circ$ BEND $\pm 2^\circ$ TWO PLACE DECIMAL $\pm .015"$ THREE PLACE DECIMAL $\pm .005"$		THE INFORMATION CONTAINED IN THIS DRAWING IS THE SOLE PROPERTY OF CLEAN-LOGIX. ANY REPRODUCTION IN PART OR AS A WHOLE WITHOUT THE WRITTEN PERMISSION OF CLEAN-LOGIX IS PROHIBITED.	
MATERIAL Material <not specified>		DRAWN BY: A. ZIEGER	
FINISH		DATE CREATED: 5/8/2017	
WEIGHT (LB.) 4.54		LAST SAVED: 6/28/2018	
		NOTE: DEBURR AND BREAK ALL SHARP EDGES!	
			
		TITLE: PBX-25 ASSEMBLY REV101	
		ITEM NUMBER: PBX-25	
		SCALE: 1:10	SHEET 8 OF 9

PUMP MOUNTING PLATE - BOTTOM VIEW

GRACO HUSKY 205 (USE SELF TAPPING #10 SCREWS)
 NOTE: FOR THIS PUMP, PORTS FACE OPPOSITE
 DIRECTION COMARED TO ENGRAVED ARROW!



UNLESS OTHERWISE SPECIFIED:		PROPRIETARY AND CONFIDENTIAL!	
DIMENSIONS ARE IN INCHES TOLERANCES: FRACTIONAL $\pm 1/16"$ ANGULAR: MACH $\pm .5^\circ$ BEND $\pm 2^\circ$ TWO PLACE DECIMAL $\pm .015"$ THREE PLACE DECIMAL $\pm .005"$		THE INFORMATION CONTAINED IN THIS DRAWING IS THE SOLE PROPERTY OF CLEAN-LOGIX. ANY REPRODUCTION IN PART OR AS A WHOLE WITHOUT THE WRITTEN PERMISSION OF CLEAN-LOGIX IS PROHIBITED.	
MATERIAL	HDPE	DRAWN BY: A. ZIEGER	
FINISH		DATE CREATED: 5/8/2017	
WEIGHT (LB.)	0.70	LAST SAVED: 6/28/2018	TITLE: PBX-25 ASSEMBLY REV101
		NOTE: DEBURR AND BREAK ALL SHARP EDGES!	ITEM NUMBER: PBX-25 (PUMP PLATE)
			SCALE: 1:2
			SHEET 9 OF 9