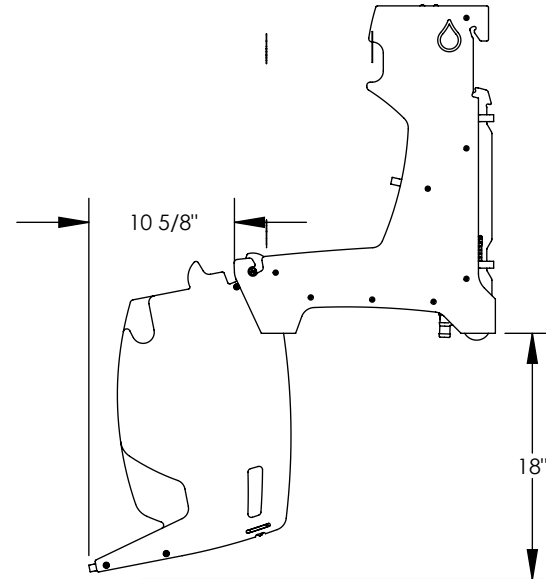
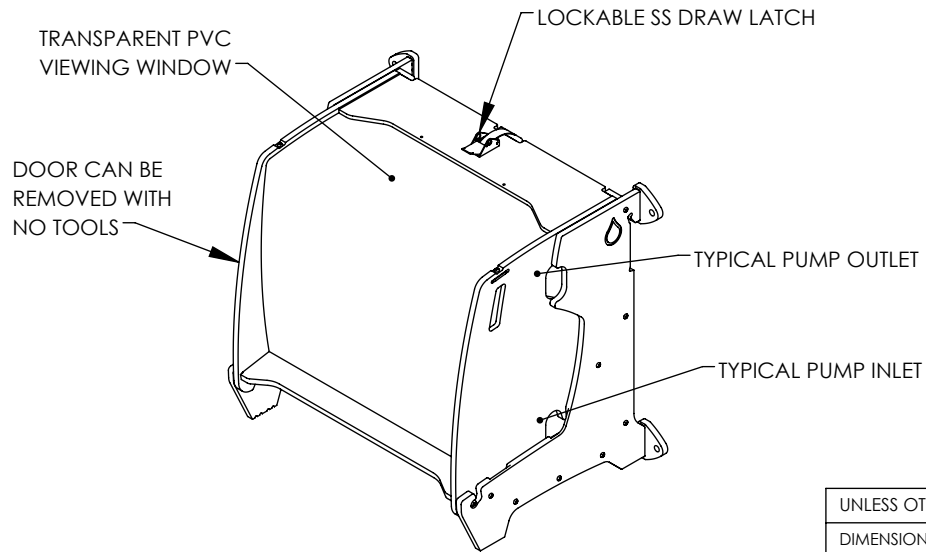
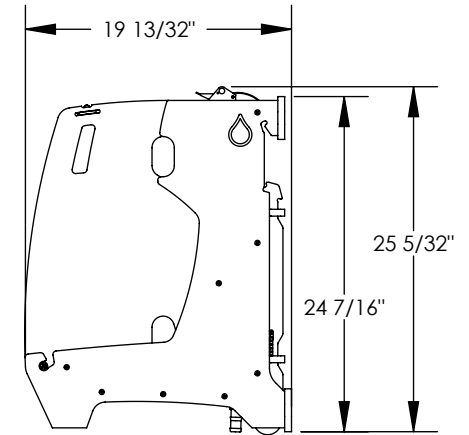
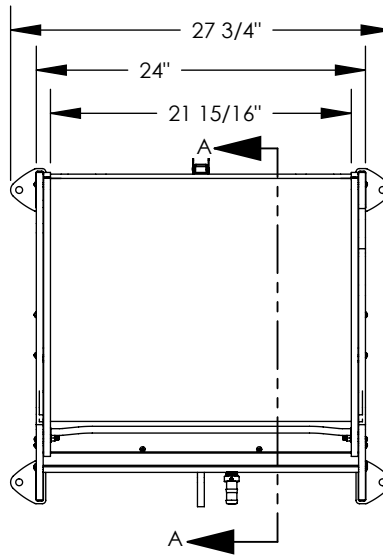
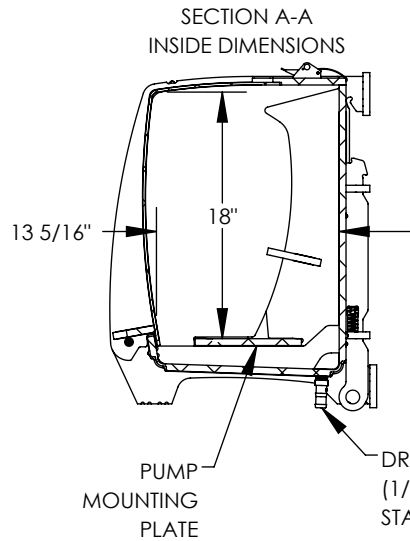


NOTE: WALL MOUNT CONFIGURATION SHOWN

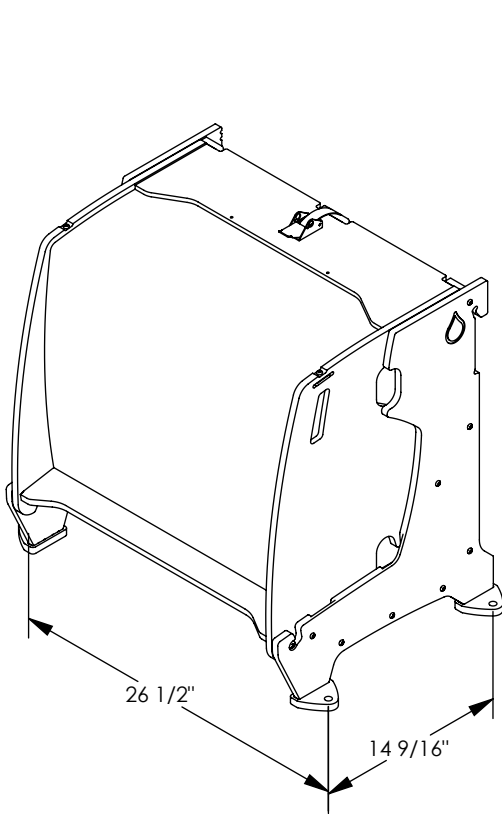


DESIGNED TO FIT THE FOLLOWING PUMPS:

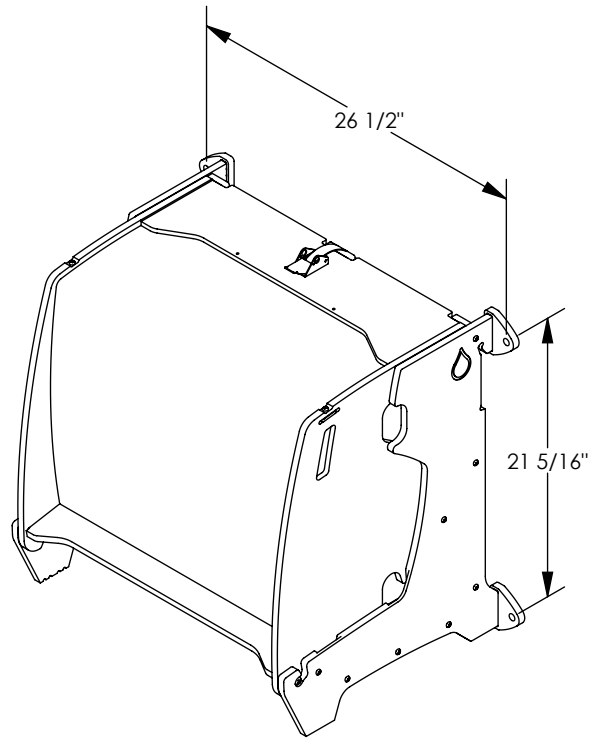
- GRACO HUSKY 1050 (END FLANGE AND CENTER FLANGE MODELS)
- YAMADA NDP-P25BP
- WILDEN P200 ADVANCED

UNLESS OTHERWISE SPECIFIED:		PROPRIETARY AND CONFIDENTIAL!	
DIMENSIONS ARE IN INCHES TOLERANCES: FRACTIONAL $\pm 1/16"$ ANGULAR: MACH $\pm .5^\circ$ BEND $\pm 2^\circ$ TWO PLACE DECIMAL $\pm .015"$ THREE PLACE DECIMAL $\pm .005"$		THE INFORMATION CONTAINED IN THIS DRAWING IS THE SOLE PROPERTY OF CLEAN-LOGIX. ANY REPRODUCTION IN PART OR AS A WHOLE WITHOUT THE WRITTEN PERMISSION OF CLEAN-LOGIX IS PROHIBITED.	
MATERIAL Material <not specified>		DRAWN BY: A. ZIEGER	
FINISH		DATE CREATED: 5/8/2017	
WEIGHT (LB.) 15.98		LAST SAVED: 7/13/2018	
		NOTE: DEBURR AND BREAK ALL SHARP EDGES!	
		TITLE: PBX-100 ASSEMBLY REV102	
		ITEM NUMBER: PBX-100	
		SCALE: 1:14	SHEET 6 OF 9

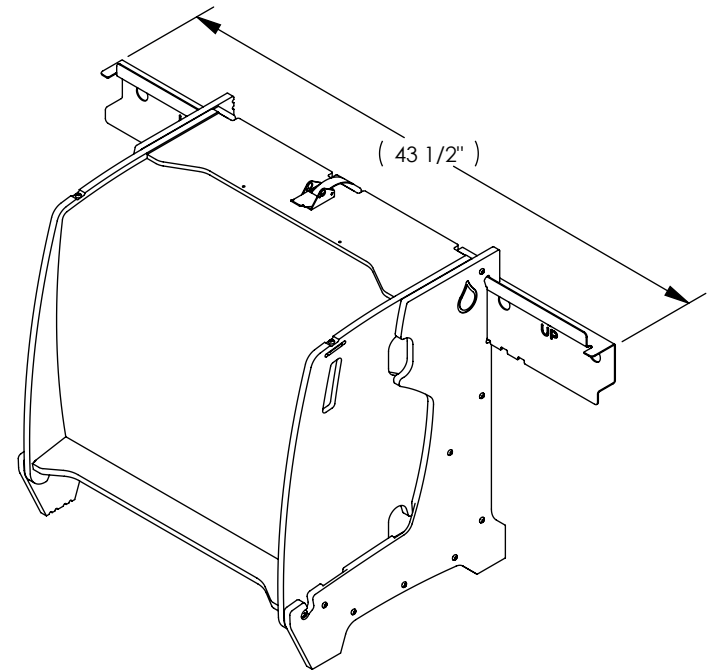
MOUNTING OPTIONS




FEET INSTALLED IN SHELF-MOUNT POSITION



FEET INSTALLED IN WALL-MOUNT POSITION

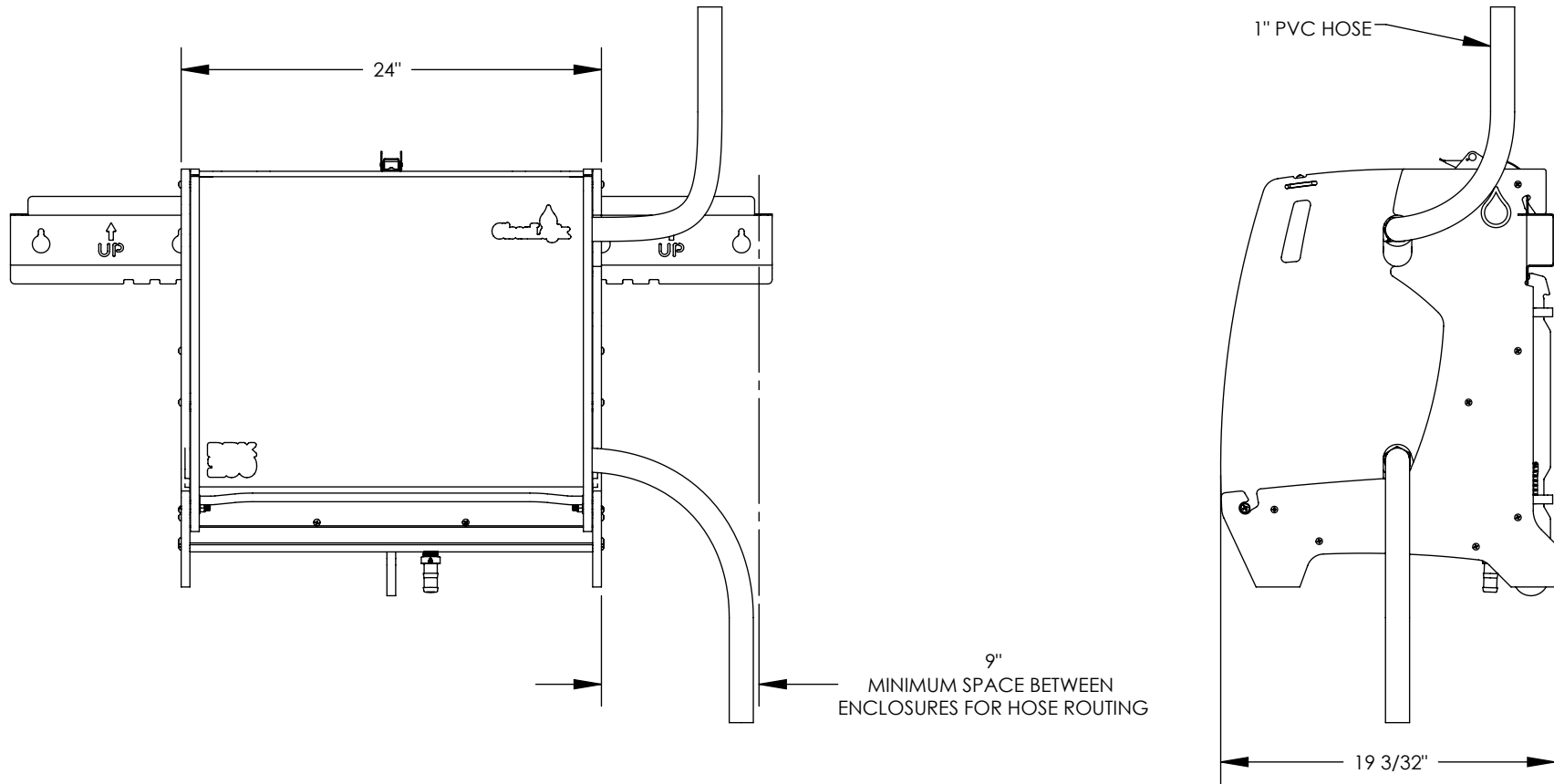


316SS MOUNTING RAIL
(RAIL SOLD SEPARATELY)

UNLESS OTHERWISE SPECIFIED:		PROPRIETARY AND CONFIDENTIAL!	
DIMENSIONS ARE IN INCHES TOLERANCES: FRACTIONAL $\pm 1/16"$ ANGULAR: MACH $\pm .5^\circ$ BEND $\pm 2^\circ$ TWO PLACE DECIMAL $\pm .015"$ THREE PLACE DECIMAL $\pm .005"$		THE INFORMATION CONTAINED IN THIS DRAWING IS THE SOLE PROPERTY OF CLEAN-LOGIX. ANY REPRODUCTION IN PART OR AS A WHOLE WITHOUT THE WRITTEN PERMISSION OF CLEAN-LOGIX IS PROHIBITED.	
MATERIAL	Material <not specified>	DRAWN BY: A. ZIEGER	
FINISH		DATE CREATED: 5/8/2017	
WEIGHT (LB.)	15.98	LAST SAVED: 7/13/2018	TITLE: PBX-100 ASSEMBLY REV102
		NOTE: DEBURR AND BREAK ALL SHARP EDGES!	ITEM NUMBER: PBX-100
			SCALE: 1:12
			SHEET 7 OF 9

INSTALLATION EXAMPLE

SHOWN ON MOUNTING RAIL WITH GRACO HUSKY 1050 PUMP



UNLESS OTHERWISE SPECIFIED:		PROPRIETARY AND CONFIDENTIAL!	
DIMENSIONS ARE IN INCHES TOLERANCES: FRACTIONAL $\pm 1/16"$ ANGULAR: MACH $\pm .5^\circ$ BEND $\pm 2^\circ$ TWO PLACE DECIMAL $\pm .015"$ THREE PLACE DECIMAL $\pm .005"$		THE INFORMATION CONTAINED IN THIS DRAWING IS THE SOLE PROPERTY OF CLEAN-LOGIX. ANY REPRODUCTION IN PART OR AS A WHOLE WITHOUT THE WRITTEN PERMISSION OF CLEAN-LOGIX IS PROHIBITED.	
MATERIAL	Material <not specified>	DRAWN BY: A. ZIEGER	TITLE: PBX-100 ASSEMBLY REV102
FINISH		DATE CREATED: 5/8/2017	ITEM NUMBER: PBX-100
WEIGHT (LB.)	15.98	LAST SAVED: 7/13/2018	SCALE: 1:10
		NOTE: DEBURR AND BREAK ALL SHARP EDGES!	SHEET 8 OF 9



