

REVISIONS		
REV.	DESCRIPTION	DATE
103	INITIAL RELEASE	11/8/2021

CYCLE START BUTTON
 START BUTTON
 E-STOP BUTTON
 RUN LIGHT

SS MOTOR AND GEAR REDUCER

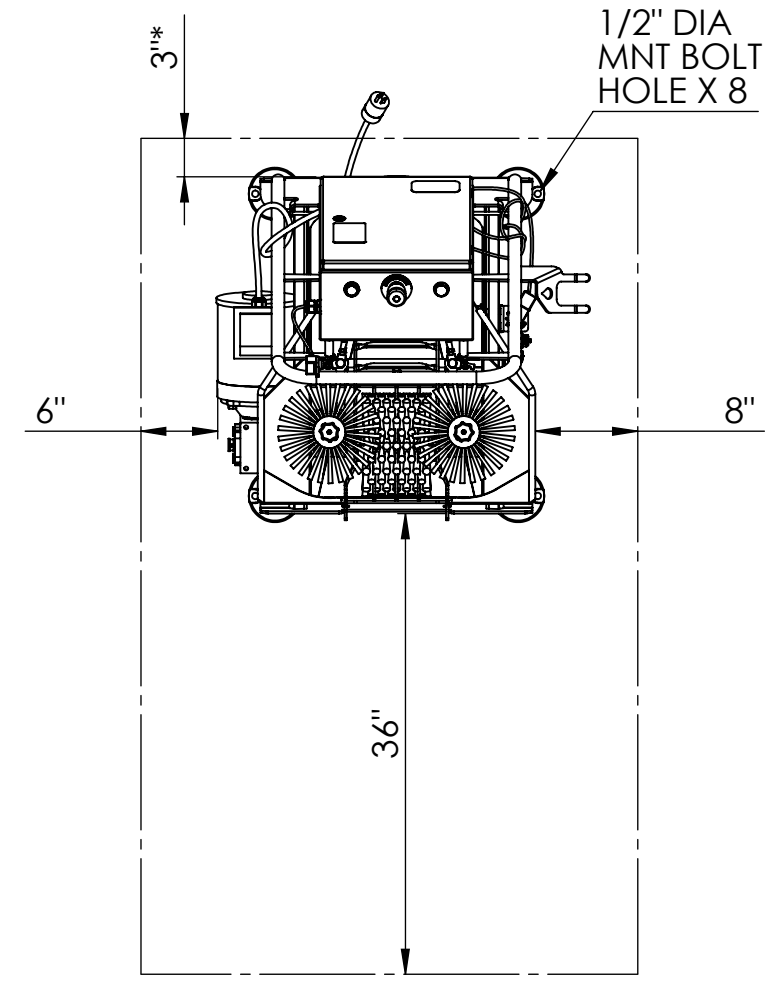
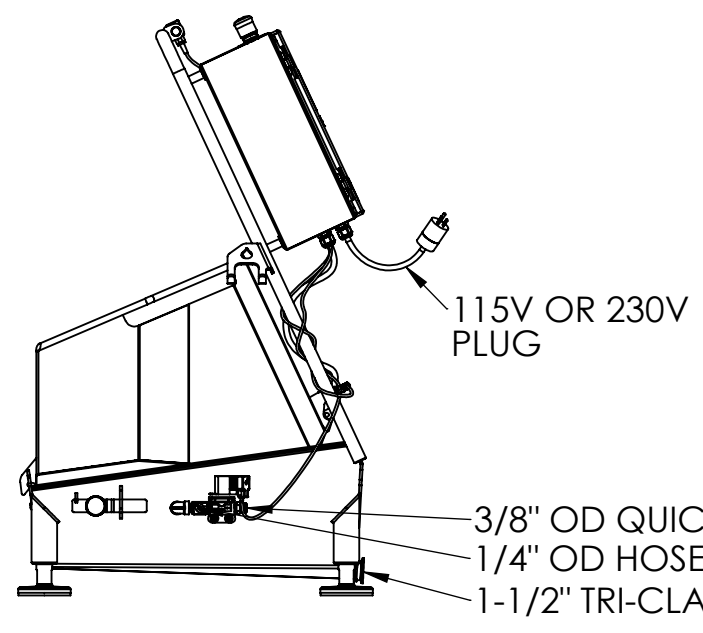
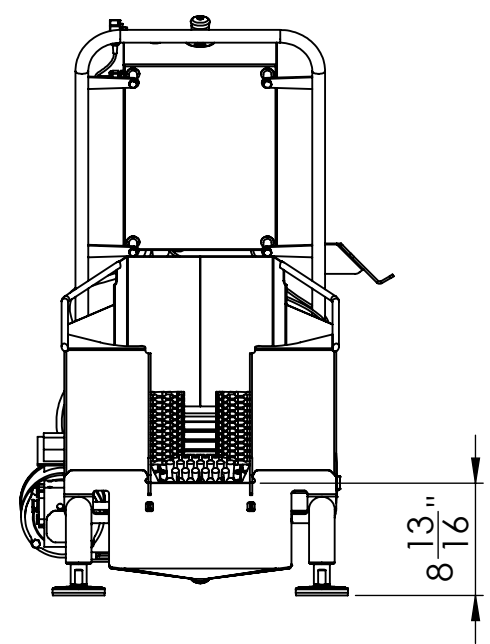
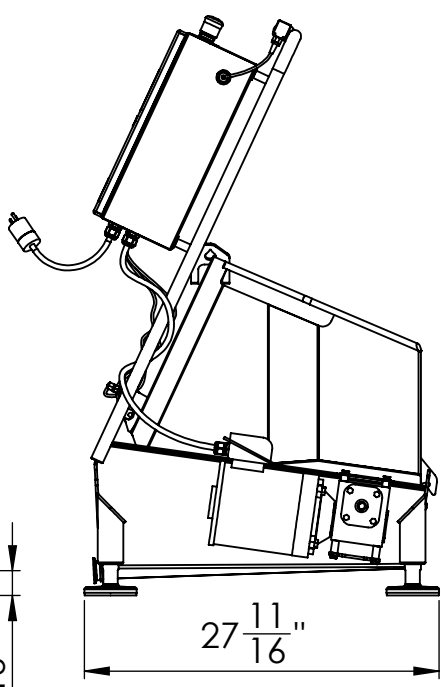
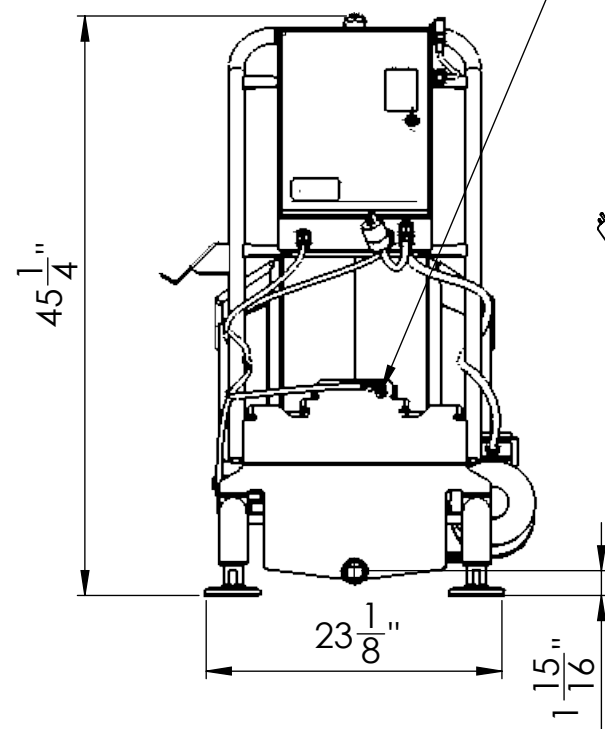
VENTURI CHEMICAL INJECTION SYSTEM
 HORIZONTAL BRUSH RELEASE ARM

GATE PRESENT SWITCH

UNIT REAR

UNIT LEFT

UNIT FRONT




MINIMUM MOUNTING DISTANCES
 *NOTE: FOR FIXED INSTALLATIONS, AREA IN FRONT OF ELECTRICAL PANEL MUST BE CLEAR AT LEAST 36"

Water Consumption: 1.5 GPM

Electrical Requirements (2-Options):

- **115V**, 1-Phase, 60 Hz, 12.4A (full load), 2.2A (0.5HP) Motor Rating
- **230V**, 1-Phase, 60 Hz, 6.2A (full load), 2.2A (0.5HP) Motor Rating

UNLESS OTHERWISE SPECIFIED: DIMENSIONS ARE IN INCHES TOLERANCES: FRACTIONAL ± 1/16" ANGULAR: MACH ± .5° BEND ± 2° TWO PLACE DECIMAL ± .015" THREE PLACE DECIMAL ± .005"		PROPRIETARY AND CONFIDENTIAL! THE INFORMATION CONTAINED IN THIS DRAWING IS THE SOLE PROPERTY OF CLEAN-LOGIX. ANY REPRODUCTION IN PART OR AS A WHOLE WITHOUT THE WRITTEN PERMISSION OF CLEAN-LOGIX IS PROHIBITED.		
MATERIAL	DRAWN BY: M. BOS	TITLE: BLX-600 and BLX-700 GEN2 REV103		
FINISH	DATE CREATED: 9/27/2021	ITEM NUMBER: BLX-600-GEN2 SAMPLE BUILD		
WEIGHT (LB.)	241.60	NOTE: DEBURR AND BREAK ALL SHARP EDGES!	SCALE: 1:20	SHEET 1 OF 21