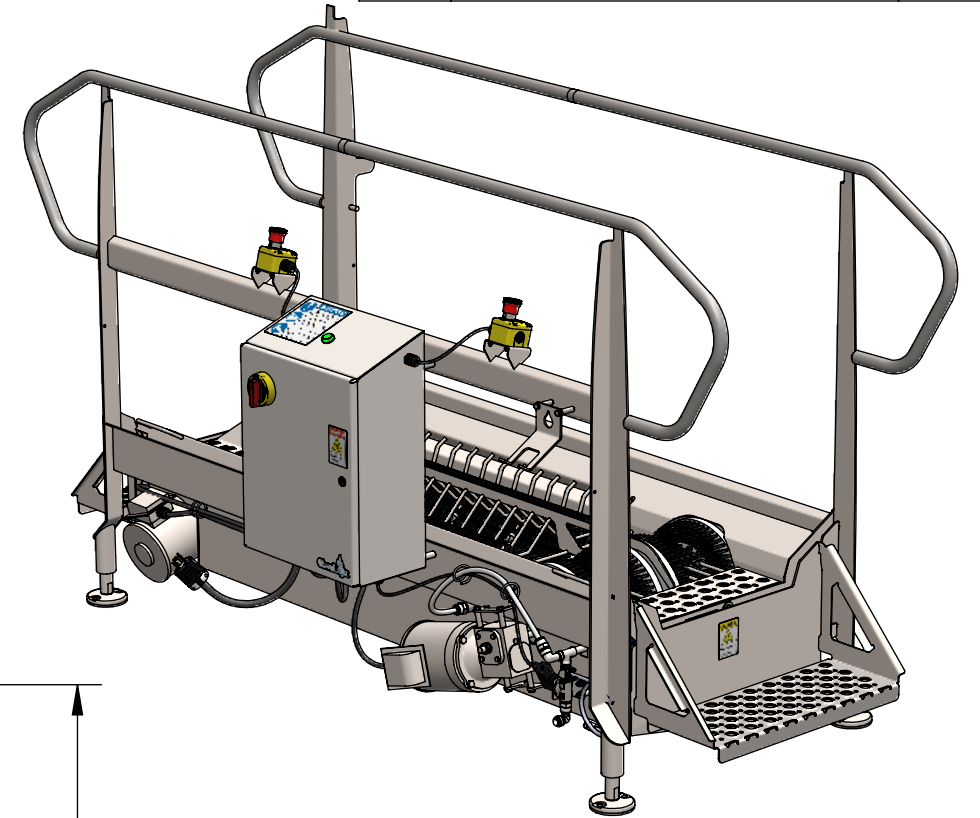
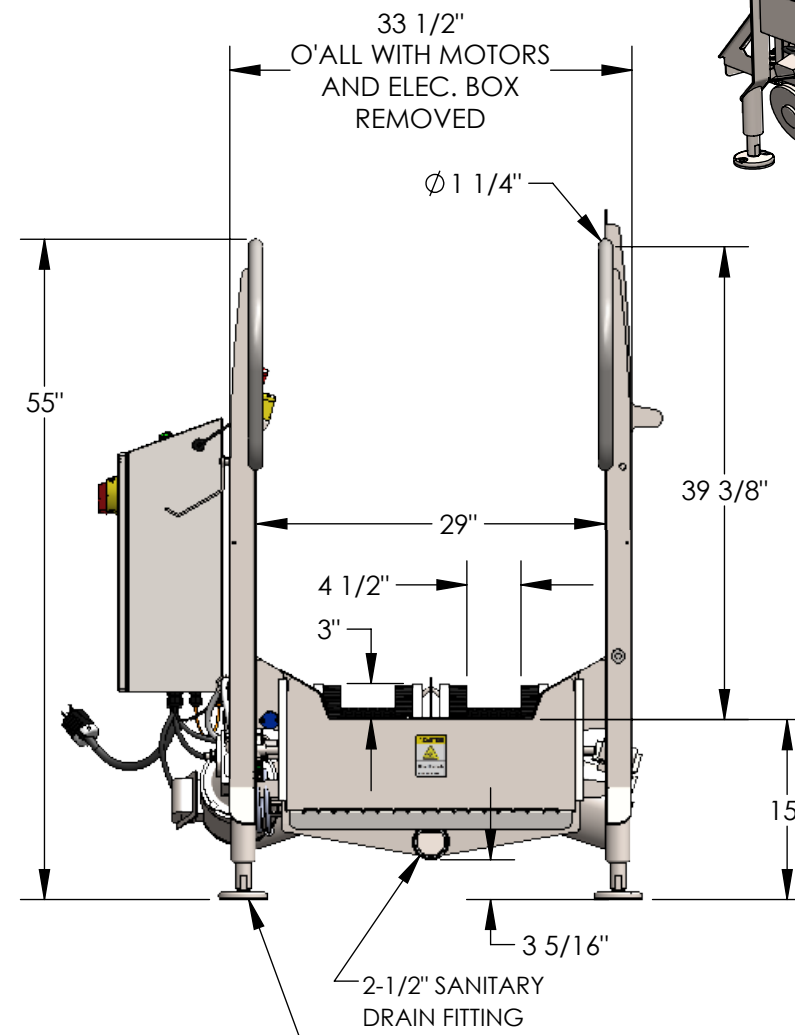
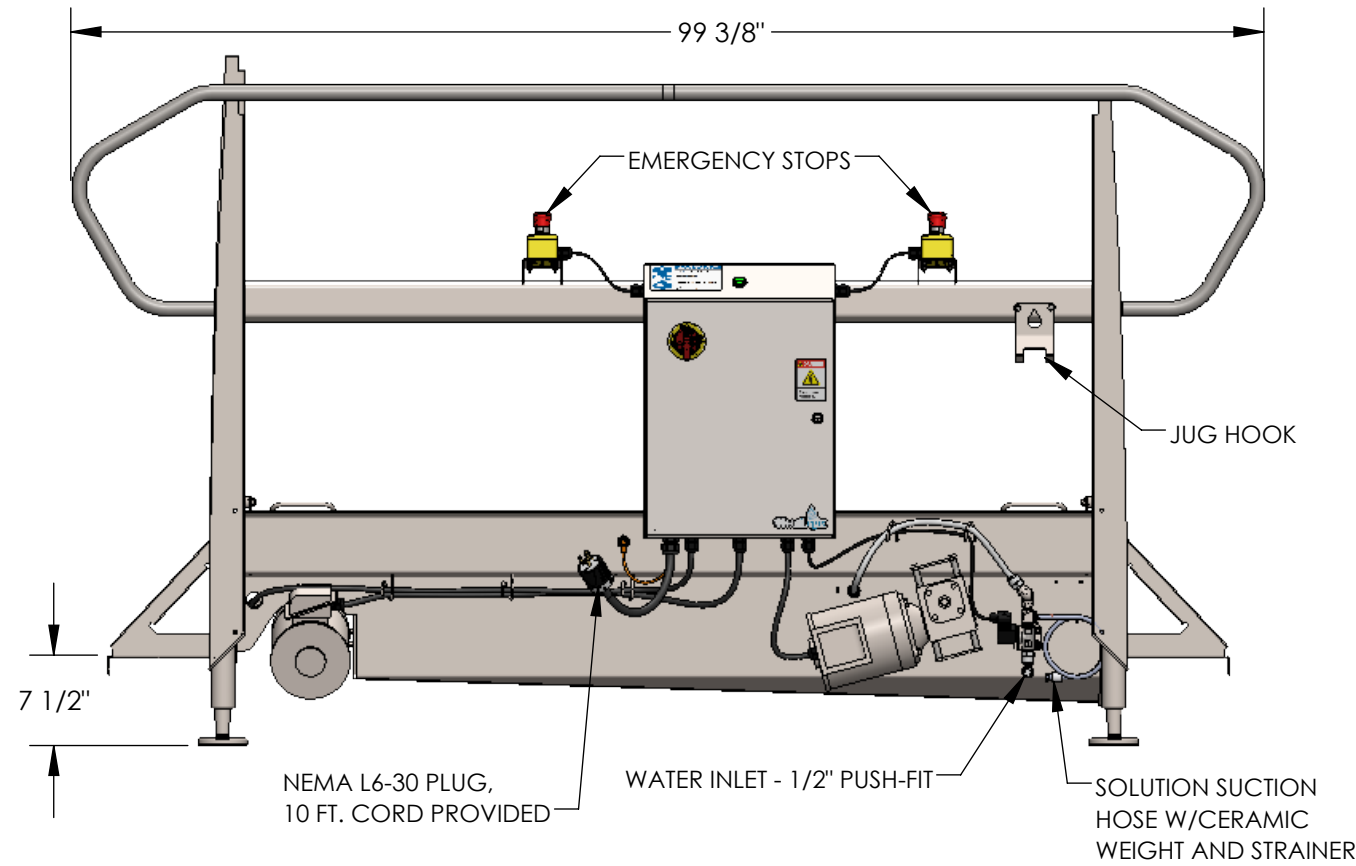
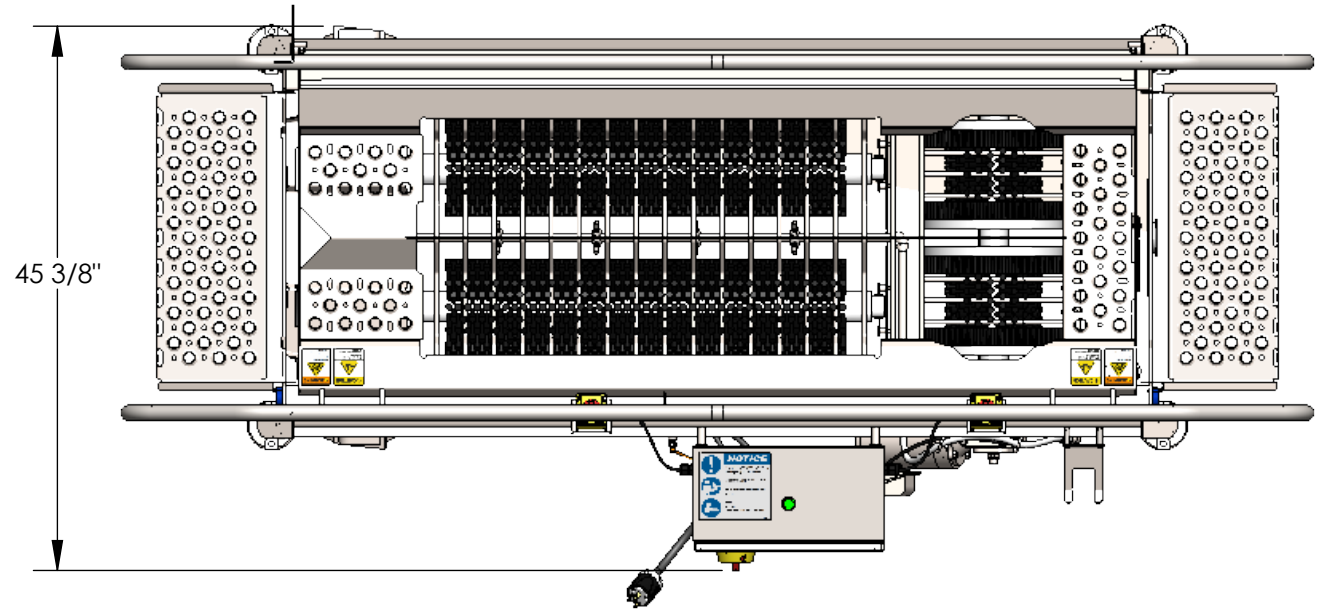
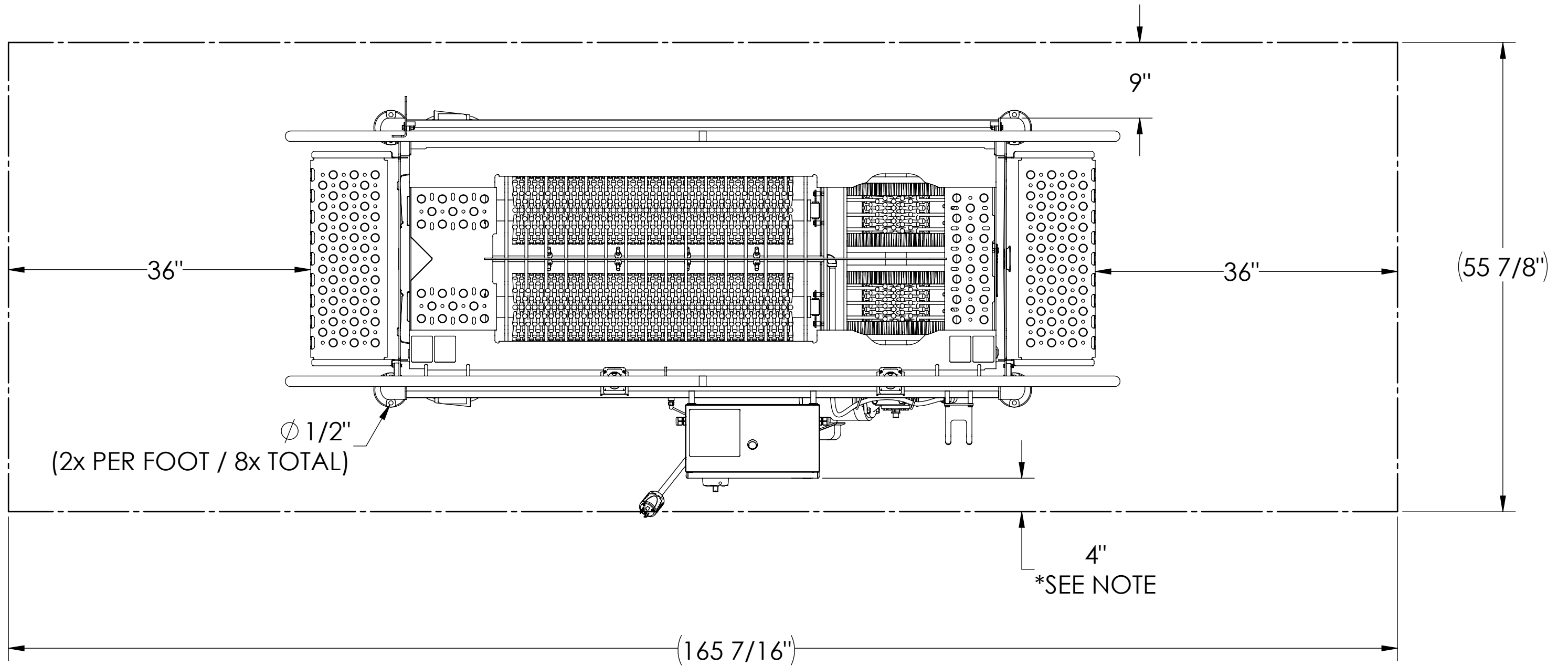


BLX-1000R-GEN2


REVISIONS		
REV.	DESCRIPTION	DATE
101	UPDATED TUB DESIGN TO ACCEPT OPTIONAL TURNSTILE. UPDATED M1183 "DRIVE SHAFT MOTOR-BRUSH WELDMENT" TO LONGER REV102. BLX-1000 ONLY; UPDATED M1186 "COMBO BRUSH ASSEMBLY" TO REV103	6/13/2014
102	UPDATED TUB WELDMENT(S) TO REV103 PER LEVELING FOOT CHANGE. ADDED MOTOR TERMINAL CRIMP WIRES.	4/16/2020



UNLESS OTHERWISE SPECIFIED:		PROPRIETARY AND CONFIDENTIAL! THE INFORMATION CONTAINED IN THIS DRAWING IS THE SOLE PROPERTY OF CLEAN-LOGIX. ANY REPRODUCTION IN PART OR AS A WHOLE WITHOUT THE WRITTEN PERMISSION OF CLEAN-LOGIX IS PROHIBITED.	
DIMENSIONS ARE IN INCHES TOLERANCES: FRACTIONAL ± 1/16" ANGULAR: MACH ± .5° BEND ± 2° TWO PLACE DECIMAL ± .015" THREE PLACE DECIMAL ± .005"			
MATERIAL	DRAWN BY: A. ZIEGER		TITLE: BLX-1000 GEN2 REV102
FINISH	DATE CREATED: 11/13/2011		ITEM NUMBER: BLX-1000R-GEN2
WEIGHT (LB.)	LAST SAVED: 4/23/2020		SCALE: 1:16
NOTE: DEBURR AND BREAK ALL SHARP EDGES!			SHEET 1 OF 22



*NOTE: FOR FIXED INSTALLATIONS, AREA IN FRONT OF ELECTRICAL PANEL MUST BE CLEAR AT LEAST 36"

UNLESS OTHERWISE SPECIFIED: DIMENSIONS ARE IN INCHES TOLERANCES: FRACTIONAL ± 1/16" ANGULAR: MACH ± .5° BEND ± 2° TWO PLACE DECIMAL ± .015" THREE PLACE DECIMAL ± .005"	PROPRIETARY AND CONFIDENTIAL! THE INFORMATION CONTAINED IN THIS DRAWING IS THE SOLE PROPERTY OF CLEAN-LOGIX. ANY REPRODUCTION IN PART OR AS A WHOLE WITHOUT THE WRITTEN PERMISSION OF CLEAN-LOGIX IS PROHIBITED.	 CleanLogix Integrated • Sanitation • Intelligence
MATERIAL	DRAWN BY: A. ZIEGER	
FINISH	DATE CREATED: 11/13/2011	TITLE: BLX-1000 GEN2 REV 102
WEIGHT (LB.)	LAST SAVED: 4/23/2020	ITEM NUMBER: BLX-1000R-GEN2
	NOTE: DEBURR AND BREAK ALL SHARP EDGES!	SCALE: 1:12
		SHEET 4 OF 22